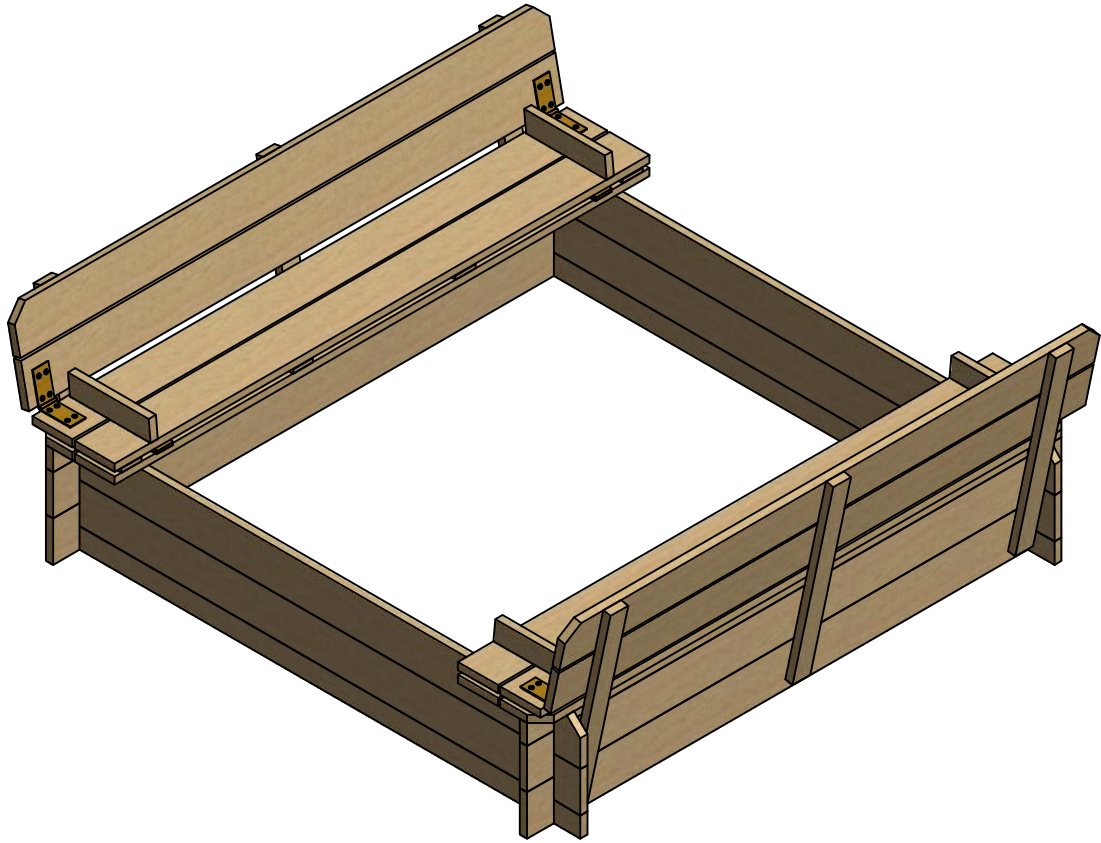
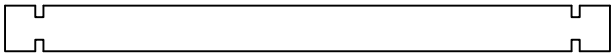
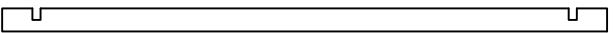
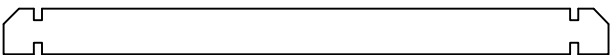


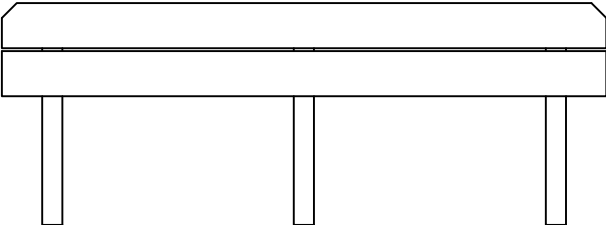





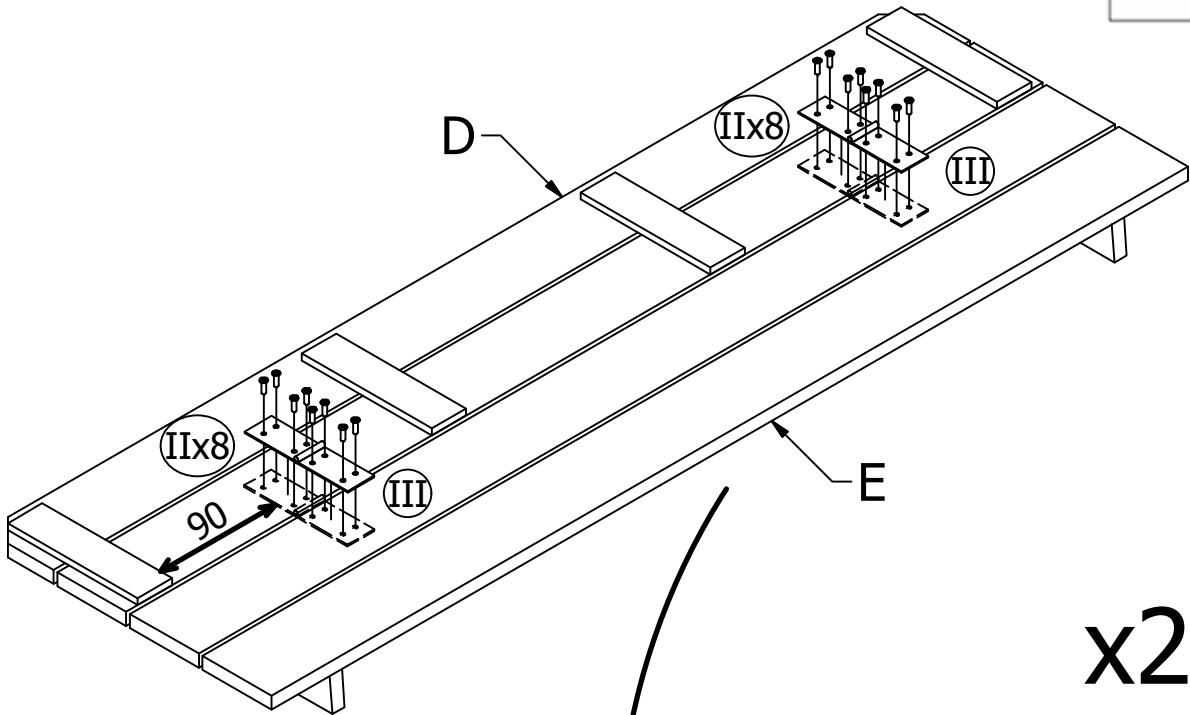
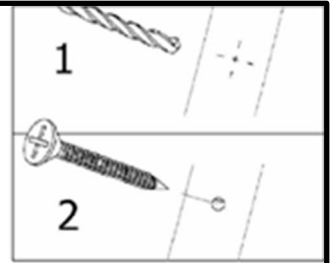
# SANDBOX

## 120x120xH45

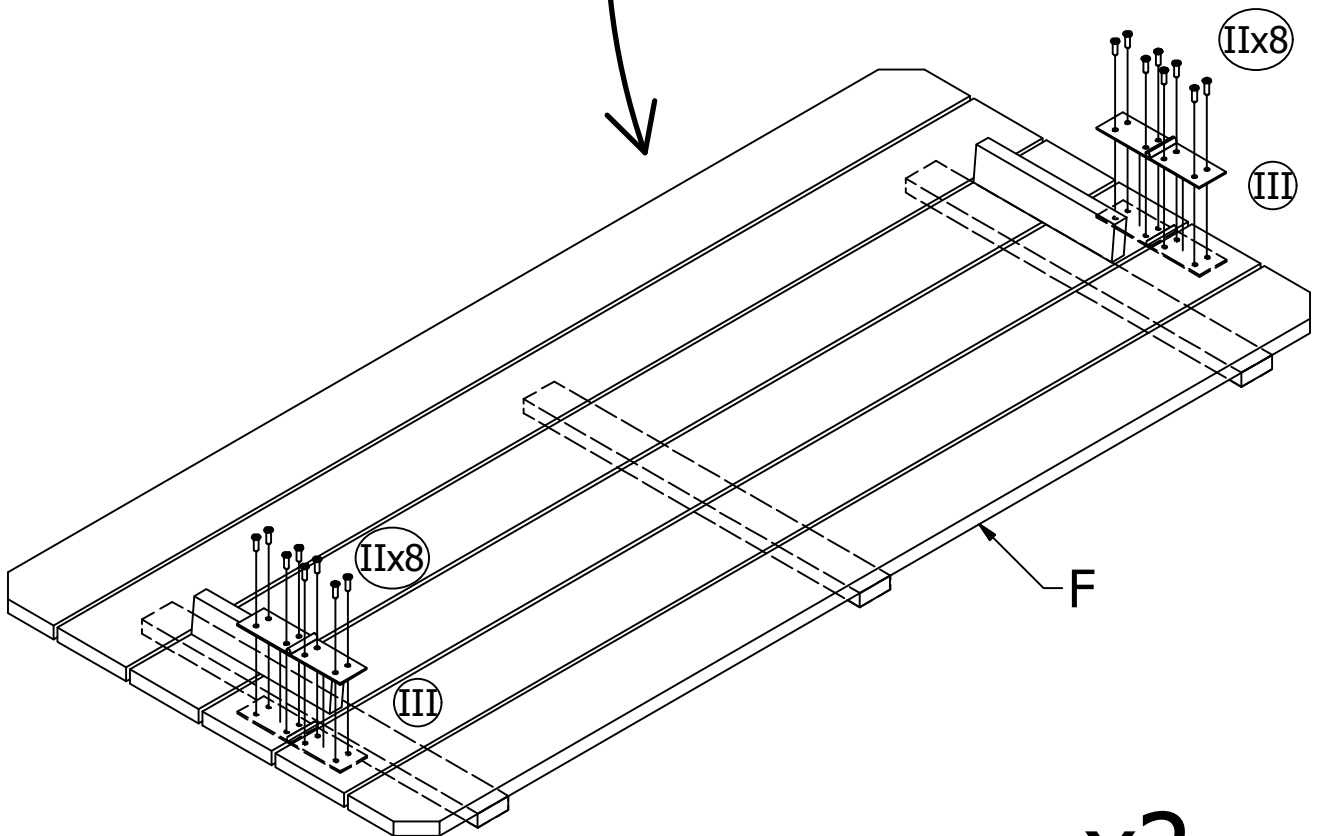


NR	SIZE	PCS	IMAGE
A	16 x 90 x 1200	6	
B	16 x 45 x 1200	4	
C	16 x 90 x 1200	2	
D	185 x 1200	2	
E	185 x 1200	2	
F	185 x 1200	2	
I	3,0 x 30	16	
II	4,0 x 16	64	
III	HINGE 30 x 120	8	

II - 4,0x16 #32



x2



x2

I - 3,0x30 #16

