

SOJAG

produits saisonniers • seasonal products

Sojag code : 500-9162370

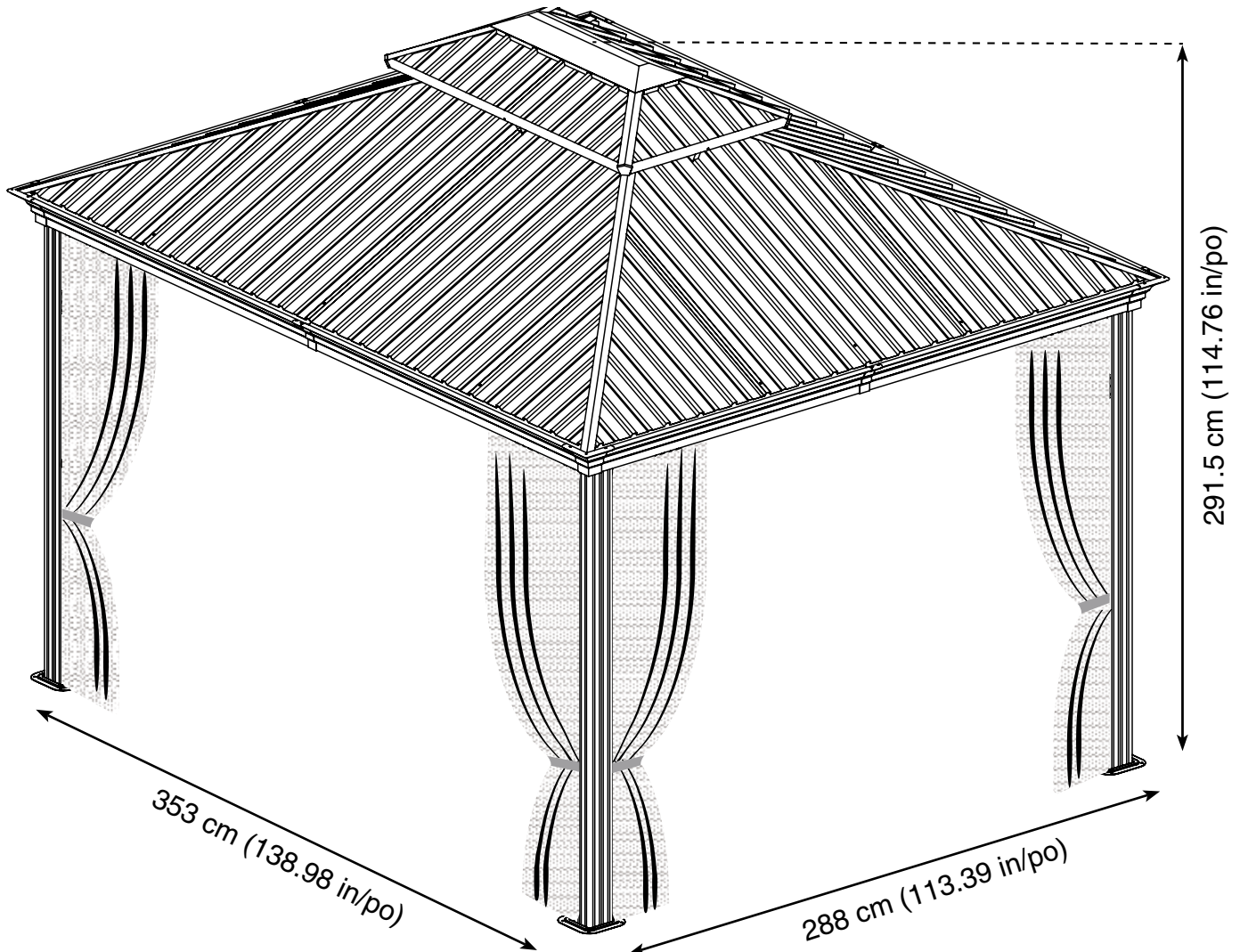
CUP/UPC code : 772830162370

Costco code: 959771

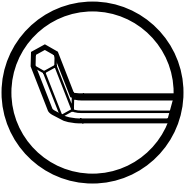
QUESTIONS? 1 855-659-4402

Assembly Manual / Guide d'assemblage / Manual de ensamblaje / 조립설명서 / Montageanleitung

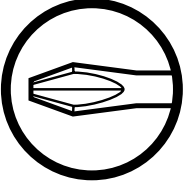
IMPORTANT, RETAIN FOR FUTURE REFERENCE: READ CAREFULLY
IMPORTANT : CONSERVER POUR RÉFÉRENCE FUTURE ET LIRE ATTENTIVEMENT
IMPORTANTE : CONSERVE PARA REFERENCIA FUTURA. LEA CUIDADOSAMENTE ANTES
Wichtig: für den zukünftigen Gebrauch aufbewahren: sorgfältig lesen.
중요: 주의 깊게 읽고 나중에 참조할 수 있도록 보관하십시오



For Outdoor Use only. Not for Commercial Use.
Pour usage extérieur seulement. Pas pour usage commercial.
Solo para uso en exteriores. No para uso comercial.
Nur für den Gebrauch im Freien. Nicht für den kommerziellen Gebrauch geeignet.
이 제품은 옥외용이며 상업용이 아닙니다.



Use the hex keys in the box. / Utilisez les clés hexagonales fournies dans la boîte. / Utilice las llaves hexagonales en la caja. / 상자에 육각 키를 사용 하십시오. / Verwenden Sie die Sechskantschlüssel in der Box.



Please use a phillips screwdriver / Utilisez un tournevis de type Phillips / Por favor, use un destornillador Phillips / 십자 드라이버를 사용 하십시오. / Bitte verwenden Sie einen Kreuzschraubenzieher.



you may need to use a drill for this step. / vous pouvez avoir besoin d'utiliser une perceuse pour cette étape. / puede que tenga que utilizar un taladro para este paso. / 이 단계에선 드릴을 사용해야 할 수도 있습니다. / Für diesen Schritt können Sie einen Bohrer verwenden.



It is recommended to wear protective gloves / Le port de gants de protection est recommandé / El uso de guantes de protección se recomienda / 보호 장갑을 착용 하는 것이 좋습니다. / Das Tragen von Schutzhandschuhen wird empfohlen.



Two or more people are required at this stage. / Deux personnes ou plus sont nécessaires à cette étape. / Dos o más personas se requieren en esta etapa. / 이 단계에서는 두 명 이상이 필요합니다. / Für diesen Bauschritt sind 2 oder mehr Personen erforderlich.

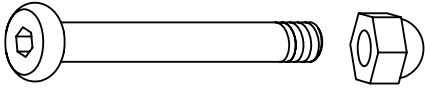


Do not screw firmly for now. / Ne pas visser fermement pour l'instant. / No atornille con firmeza por ahora. / 아직 나사를 단단히 조이지 마십시오. / Bitte die Schrauben zum jetzigen Zeitpunkt noch nicht fest anziehen.

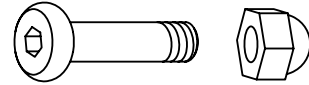


Sold in options / Vendus en options / vendido en las opciones / 옵션 판매 / Optional erhältlich

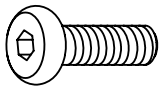
S X 12 (EXTRA 2 pcs)



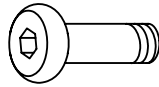
T X 64 (EXTRA 7 pcs)



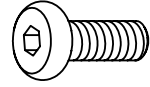
U X 17 (EXTRA 2 pcs)



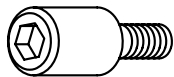
U1 X 4 (EXTRA 1 pcs)



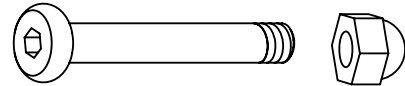
V X 220 (EXTRA 10 pcs)



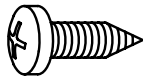
X X 16 (EXTRA 2 pcs)



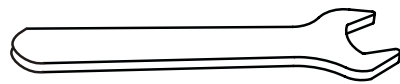
X1 X 8 (EXTRA 2 pcs)



Y X 24 (EXTRA 5 pcs)



W2 X 1

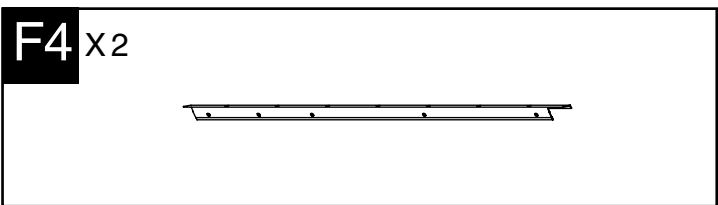
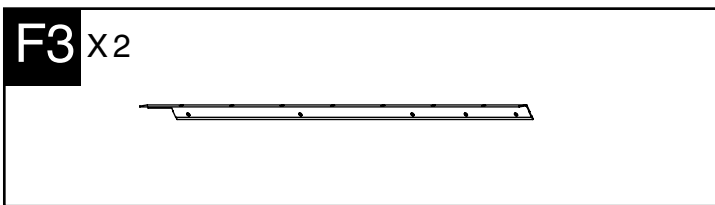
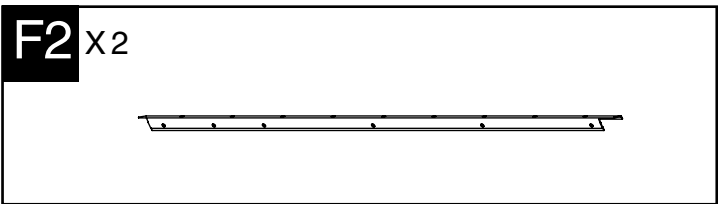
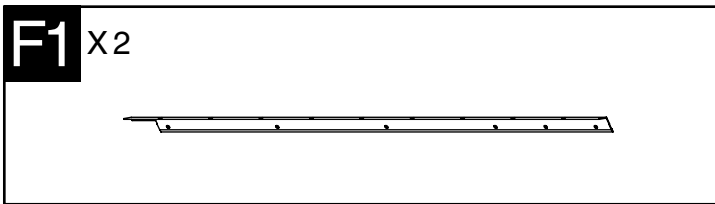
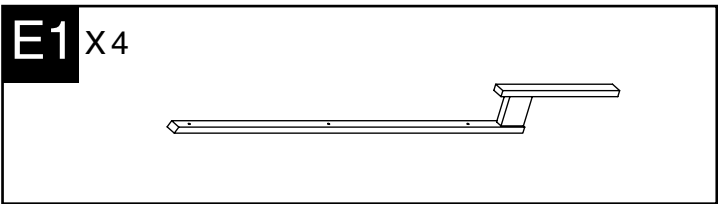
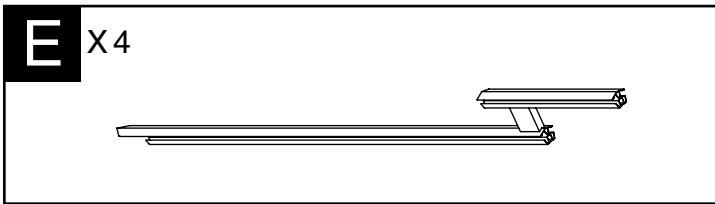
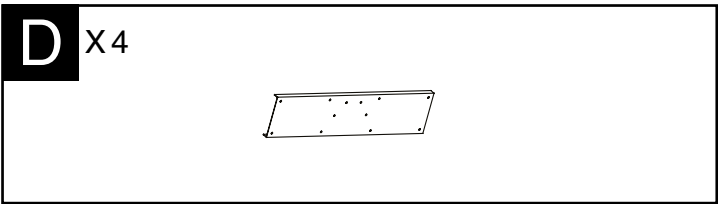
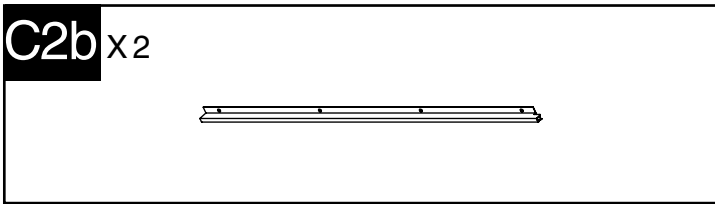
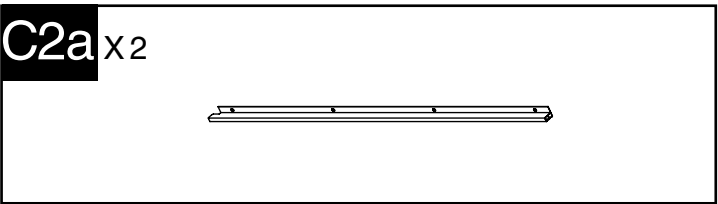
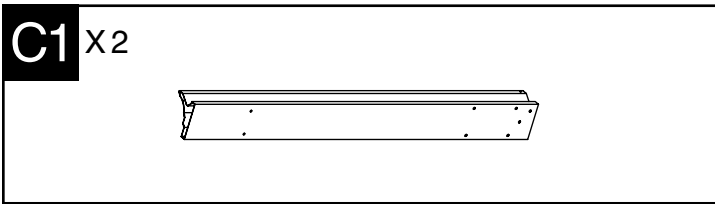
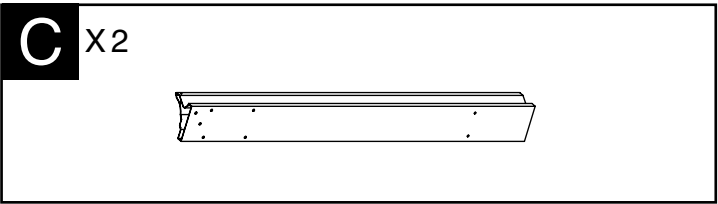
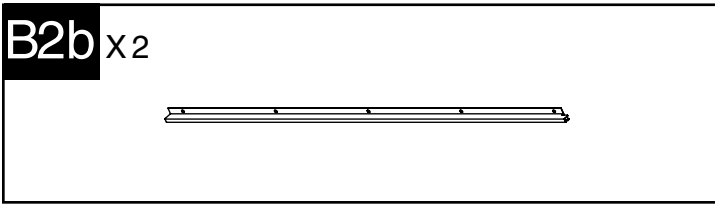
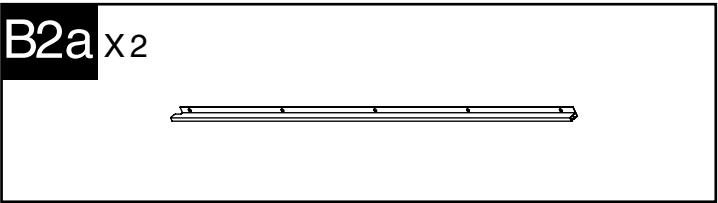
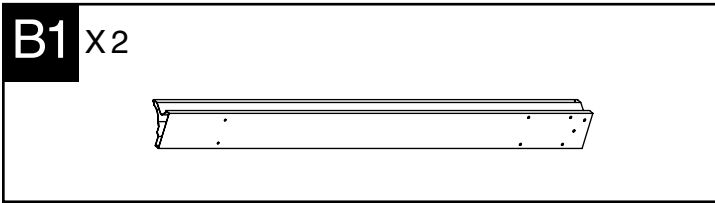
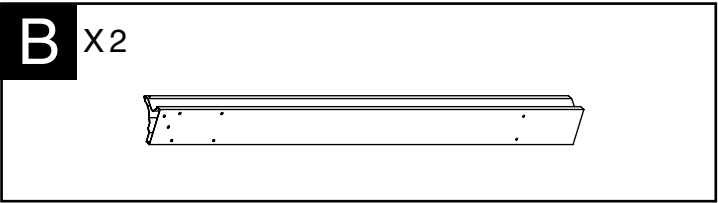
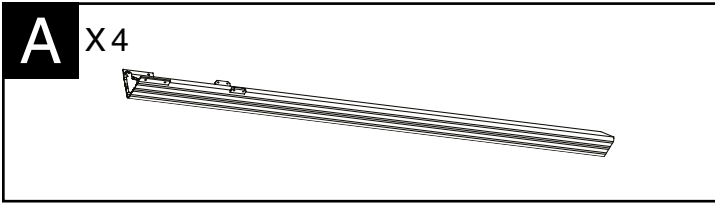


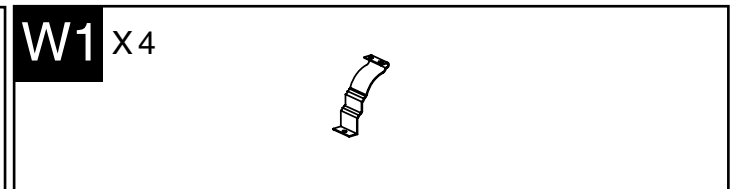
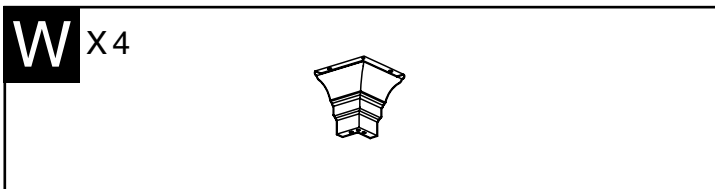
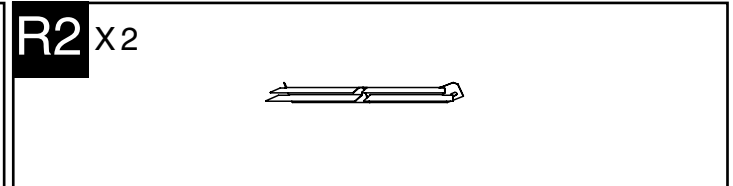
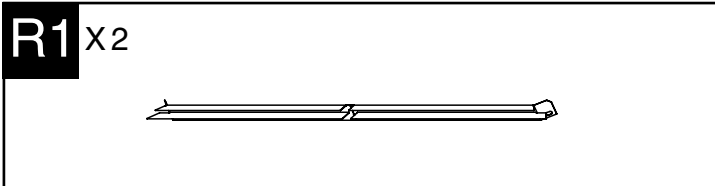
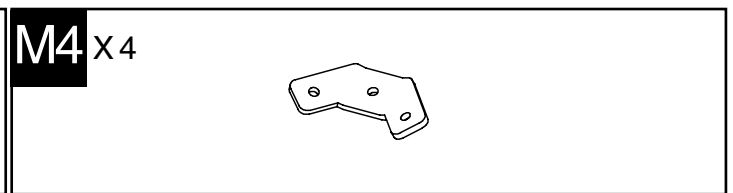
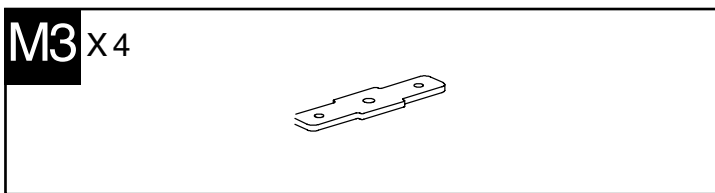
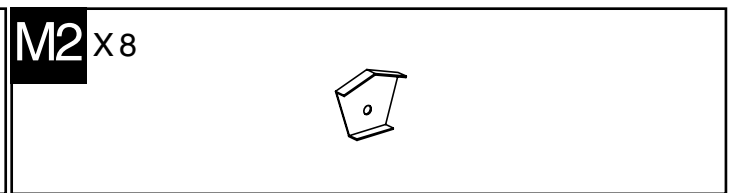
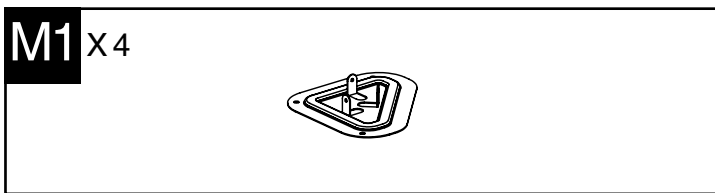
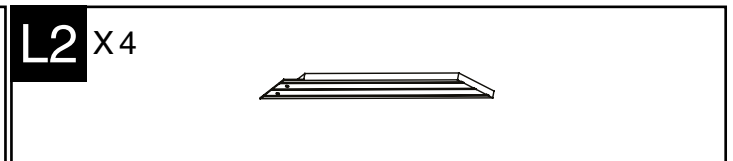
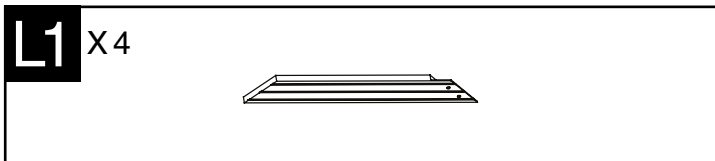
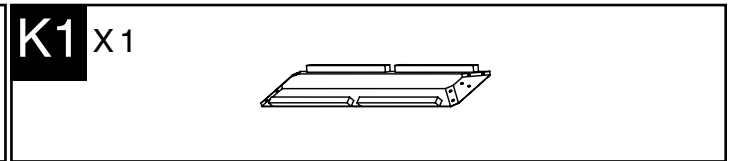
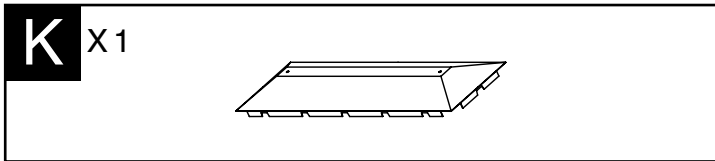
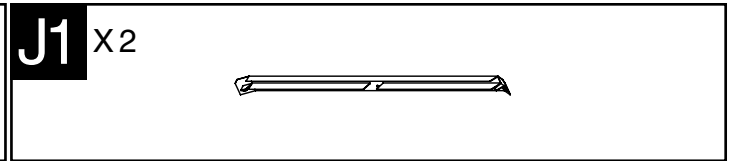
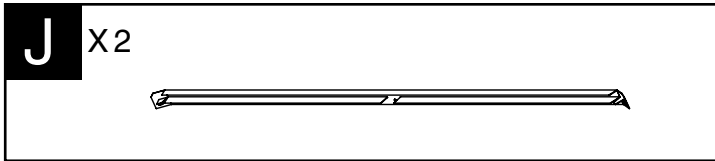
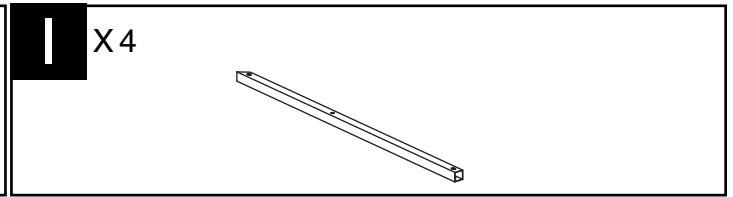
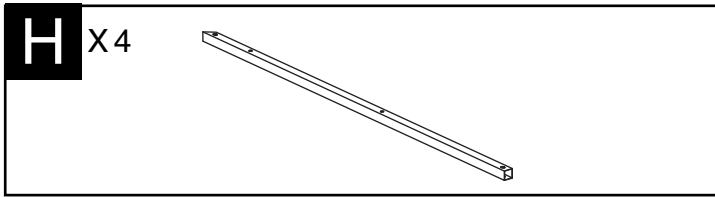
Wa X 2



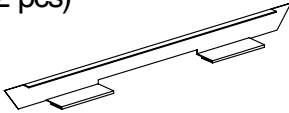
Z X 1



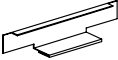





R X 56 (EXTRA 2 pcs)




D1 X16 (EXTRA 1 pcs)



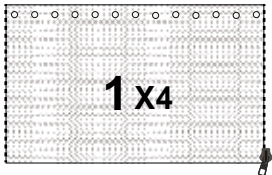
Zs X 1



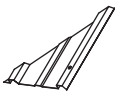
Q X 52 (EXTRA 3 pcs)



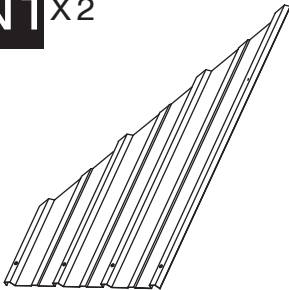
Net



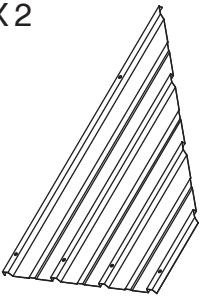
N X 2




N1 X 2



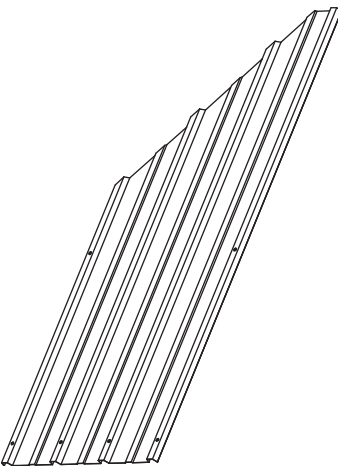
N6 X 2



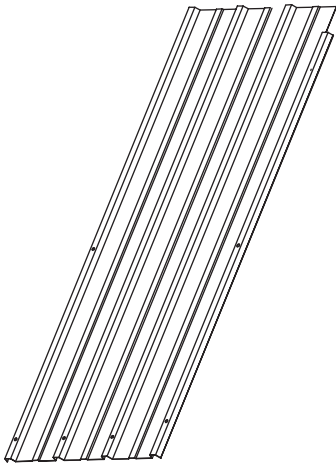
N7 X 2



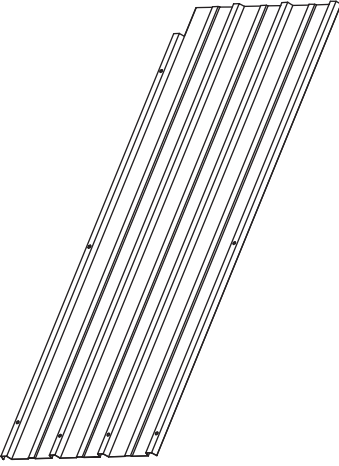
N2 X 2



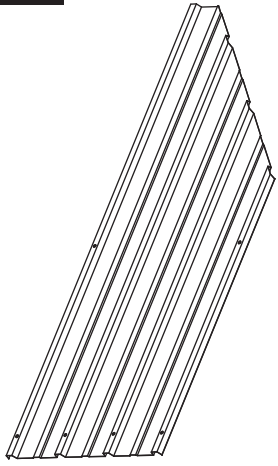
N3 X 2

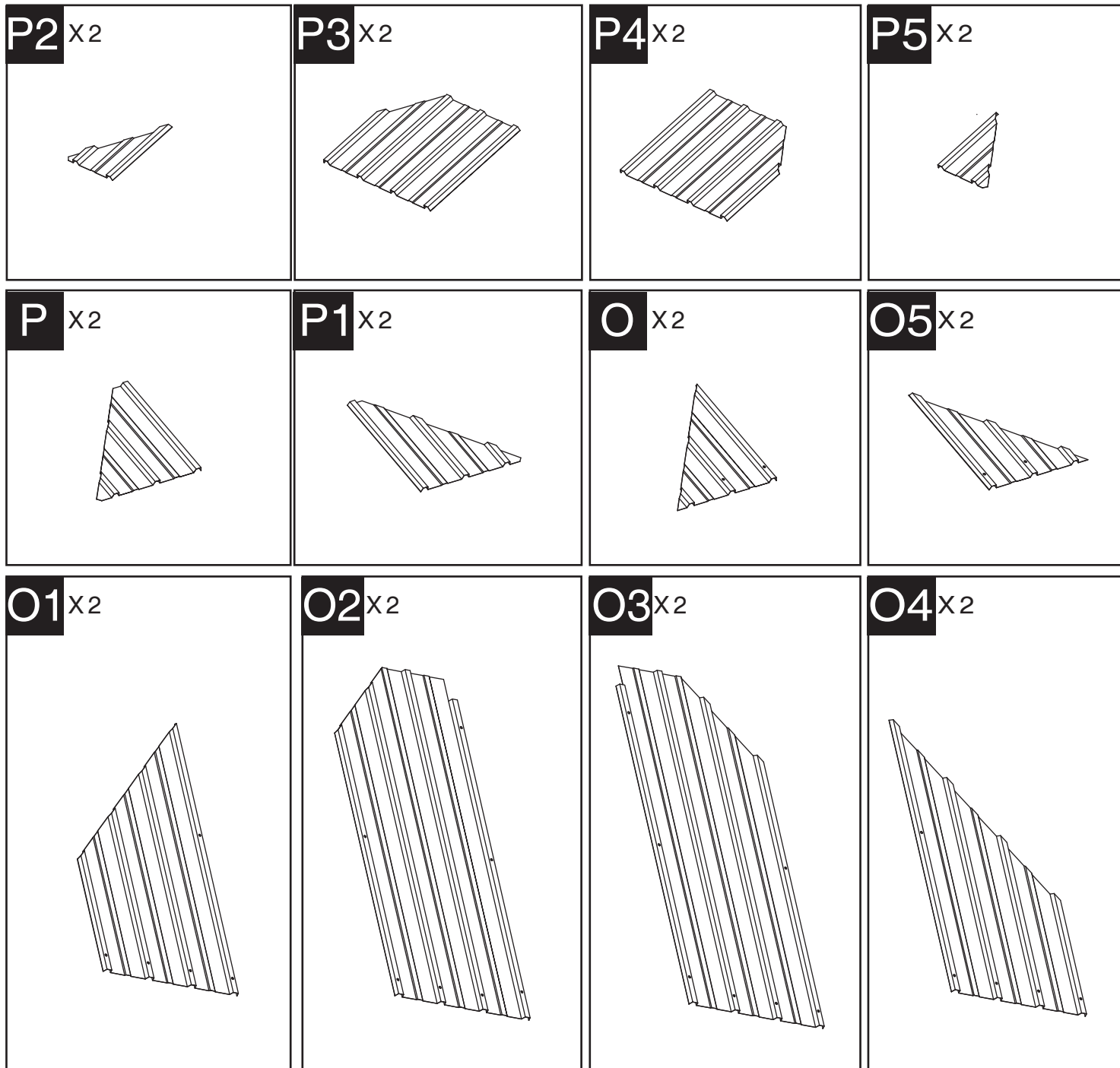


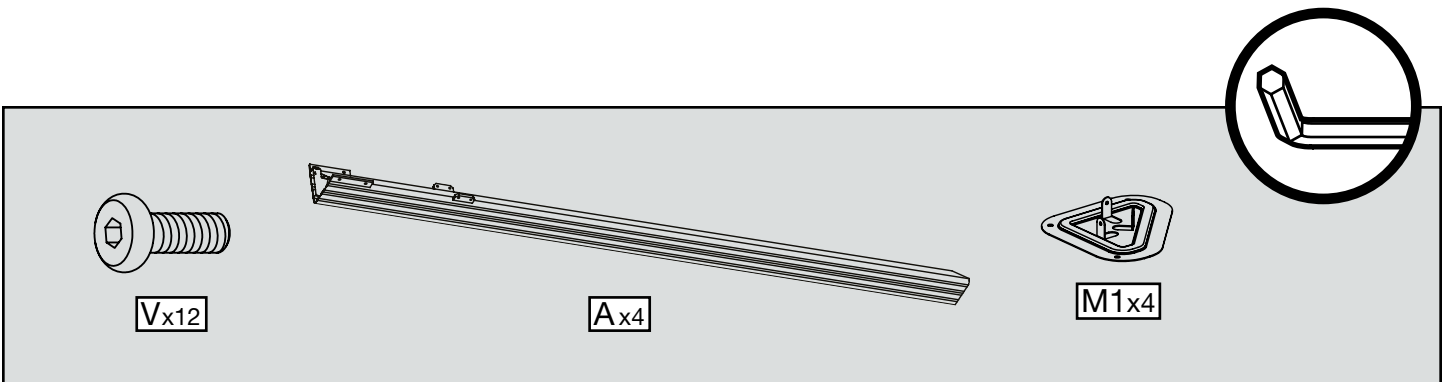
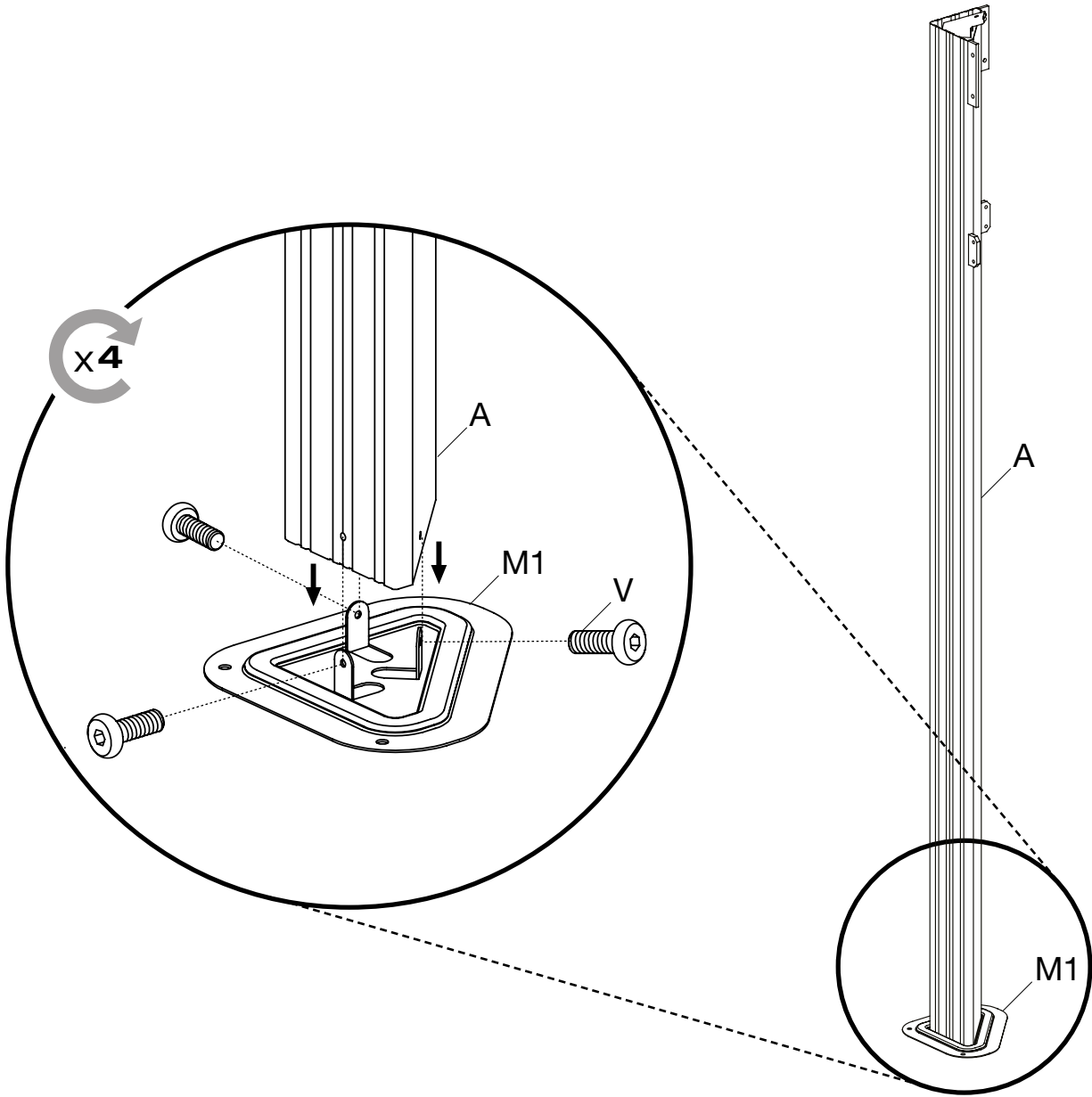
N4 X 2

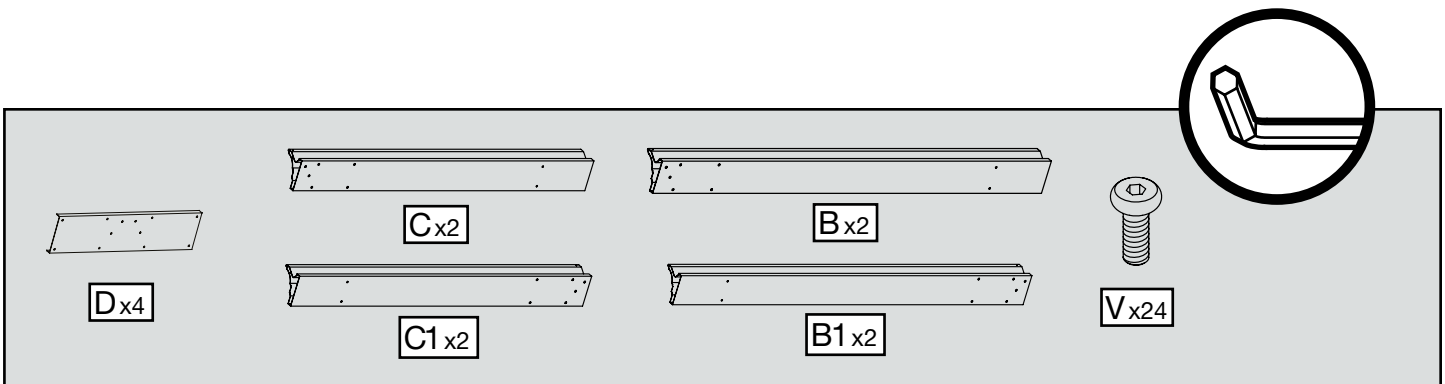
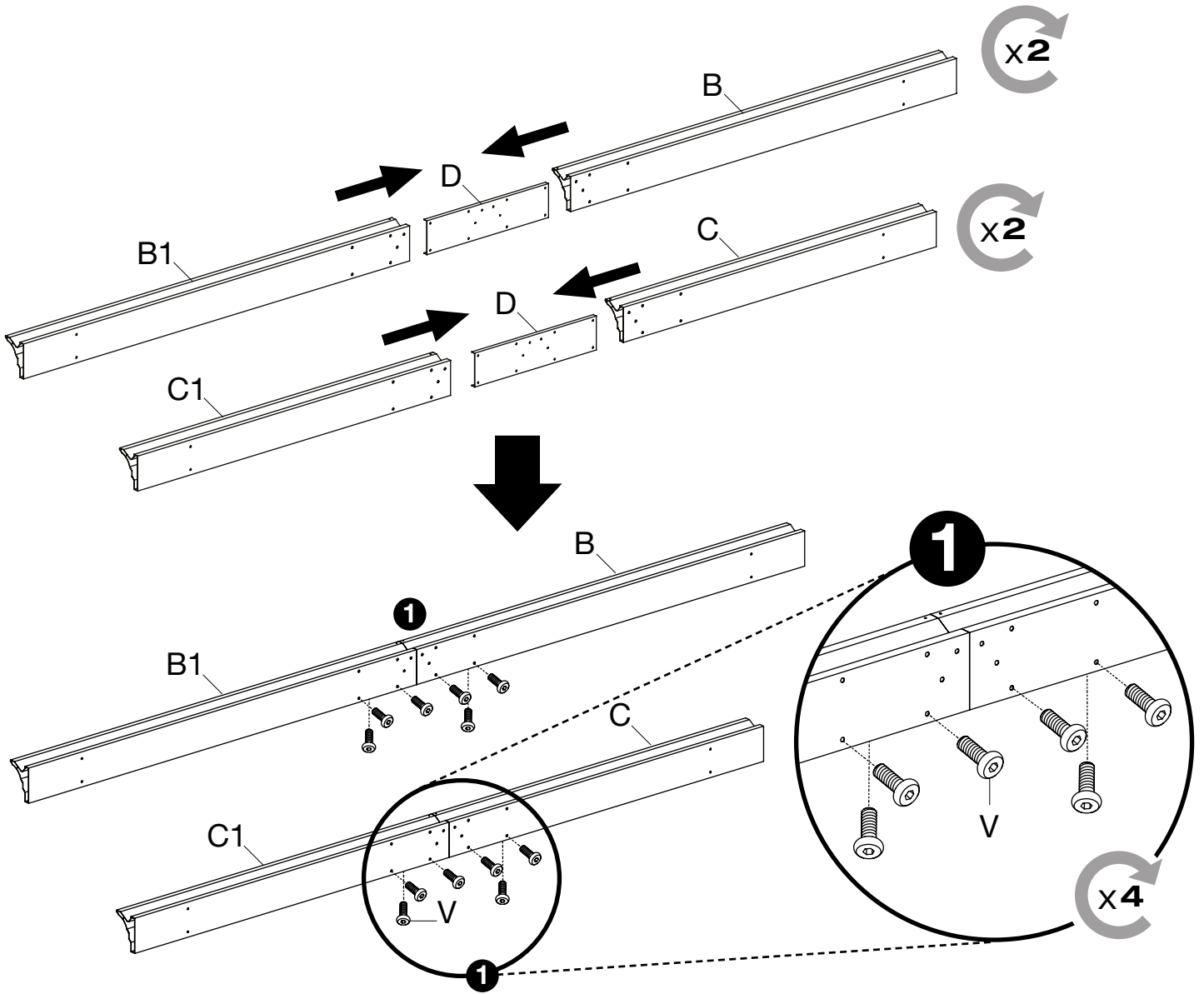


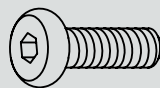
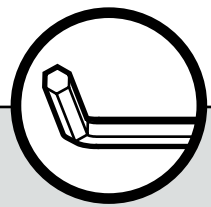
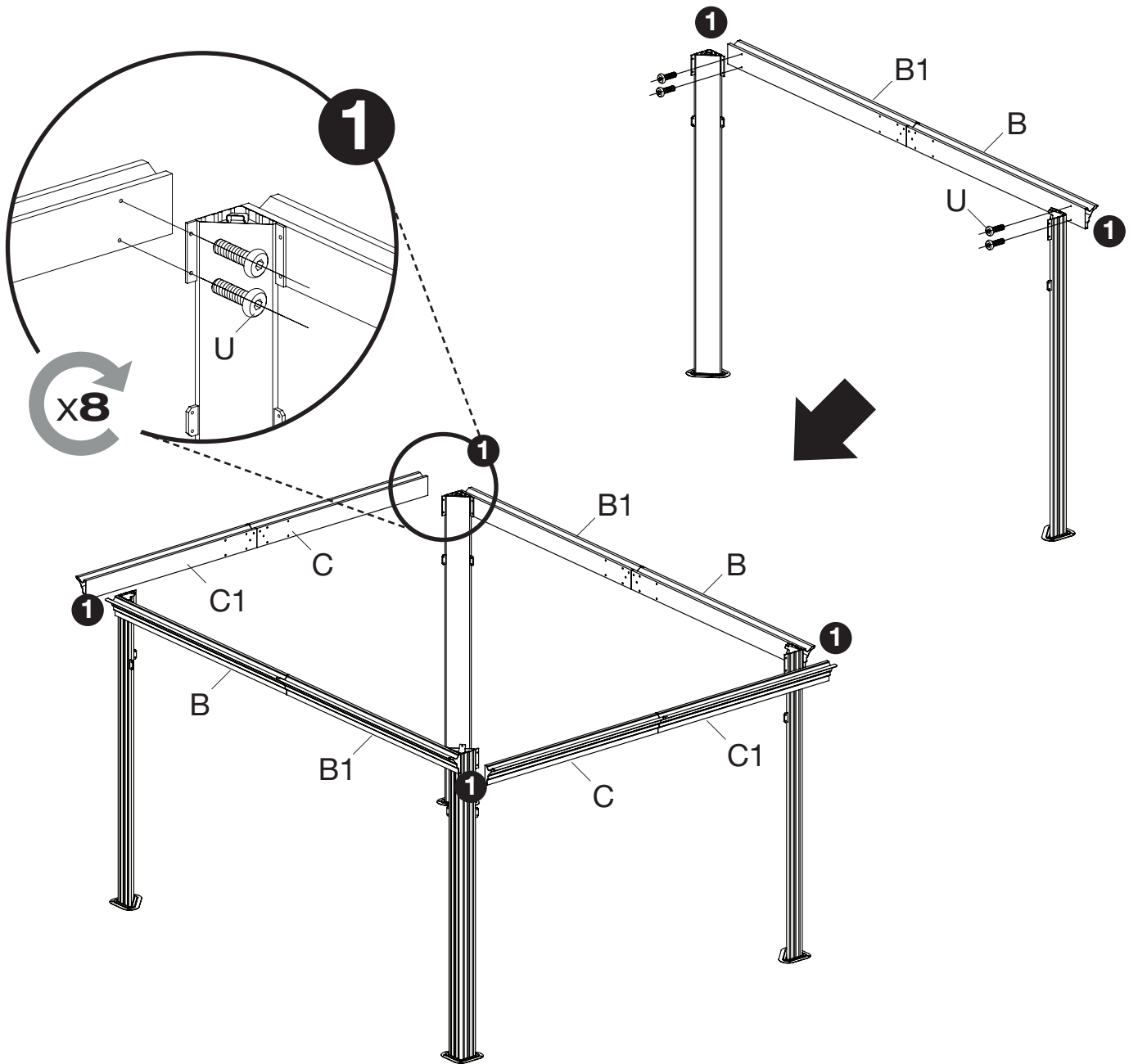
N5 X 2



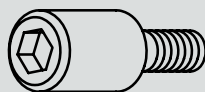
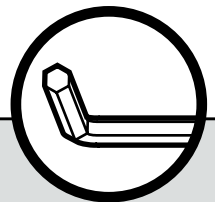
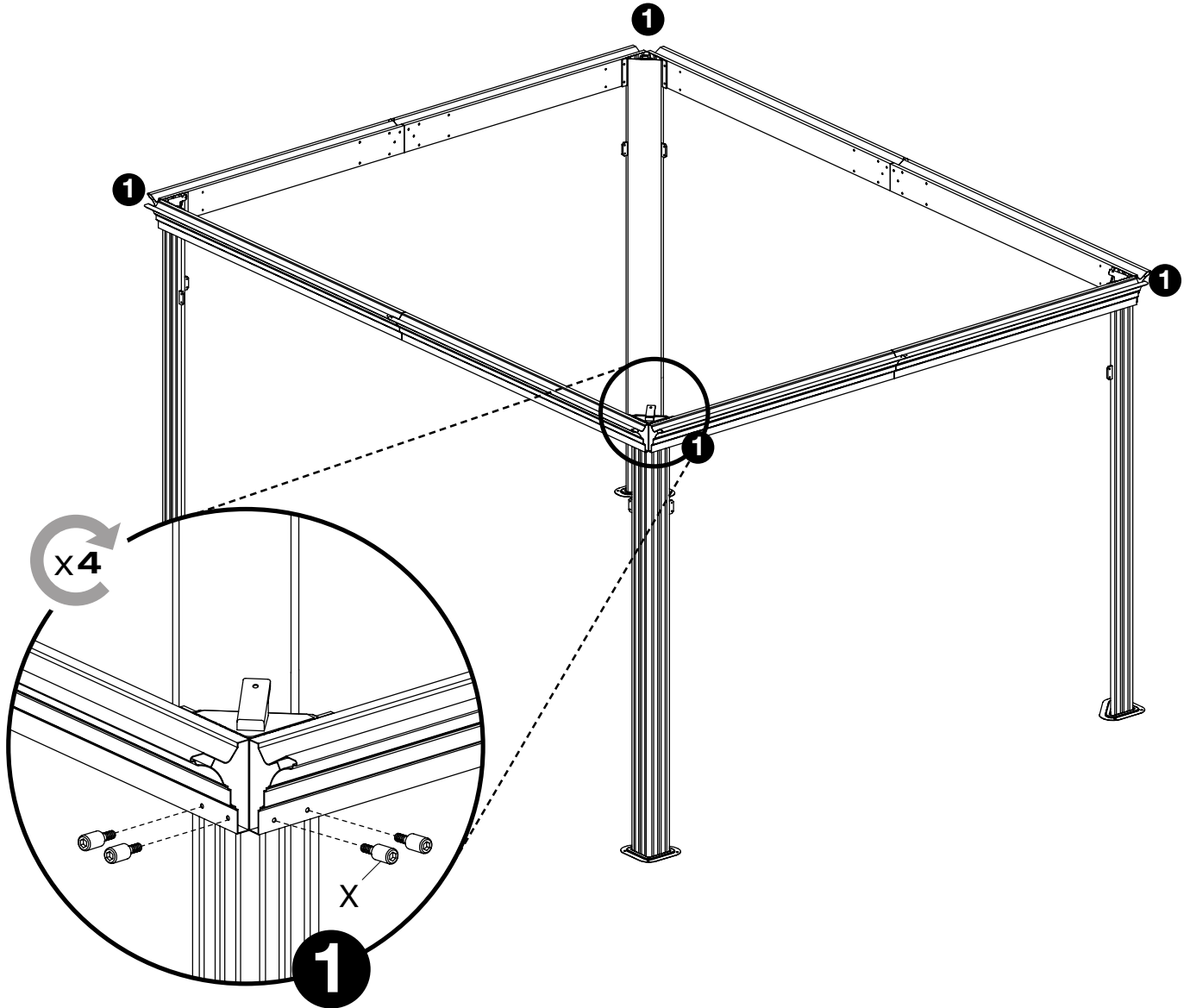




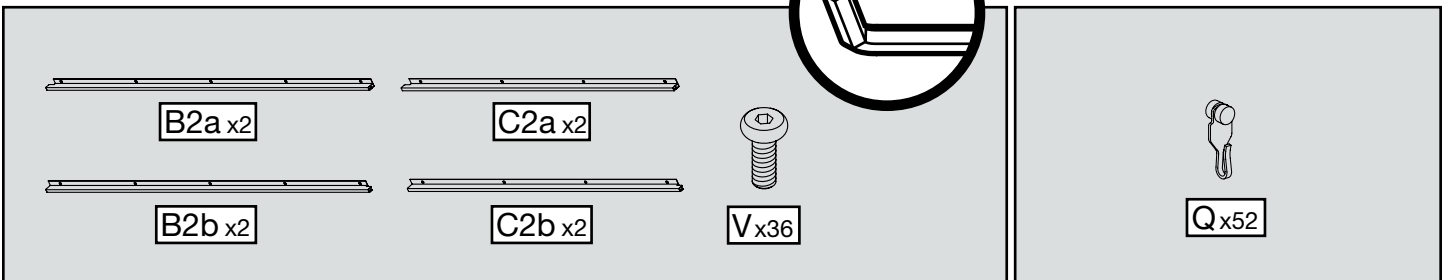
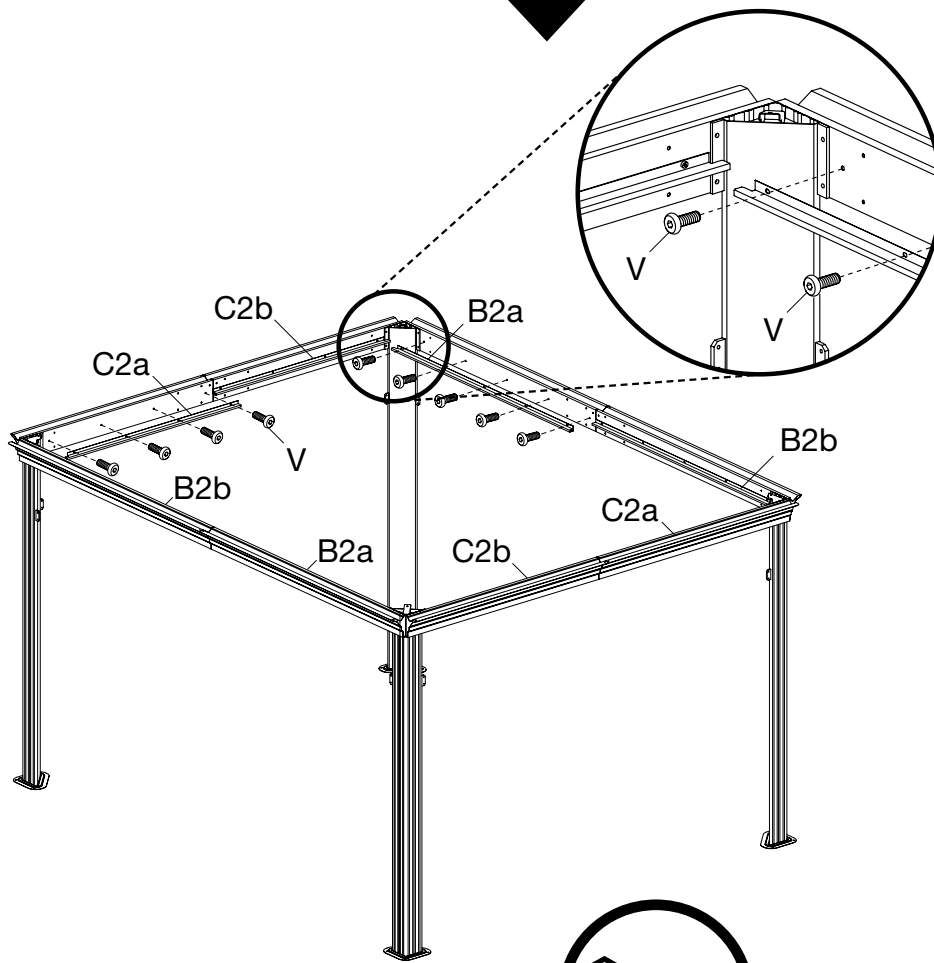
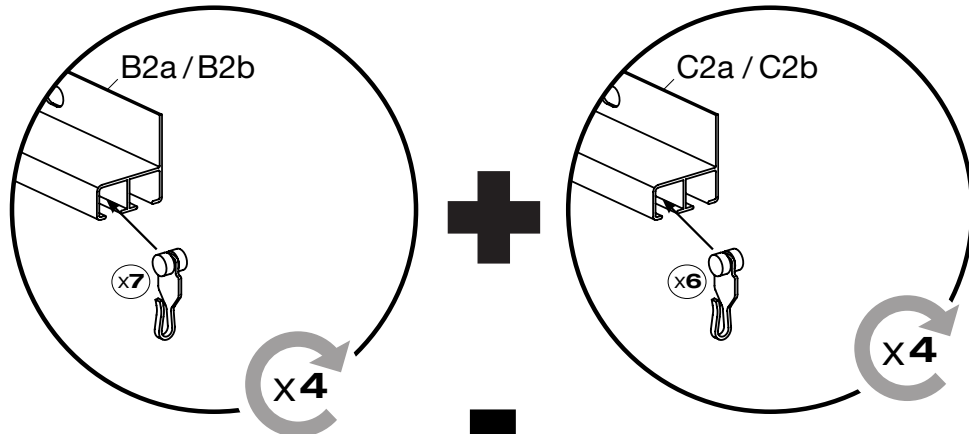


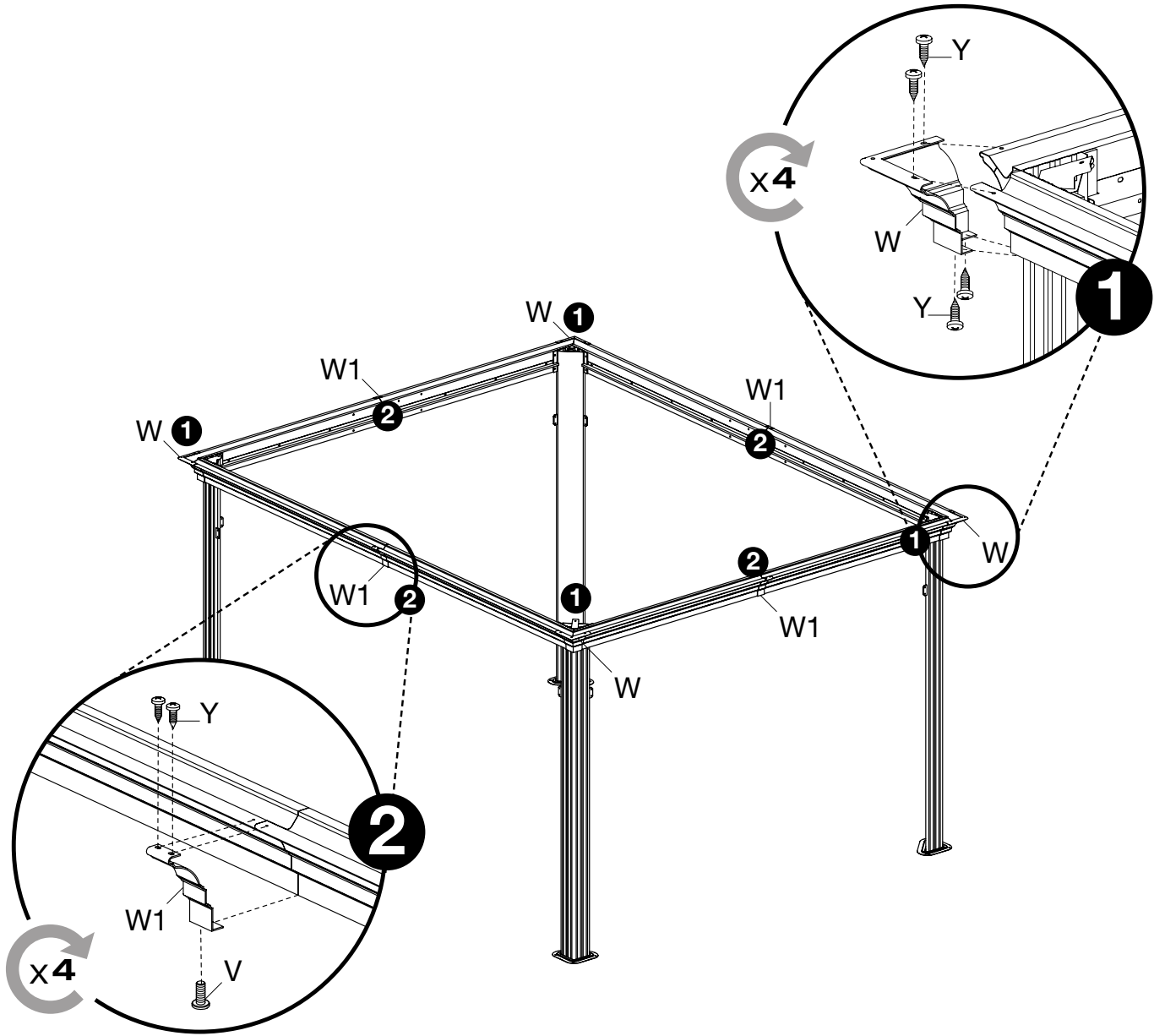


U x16



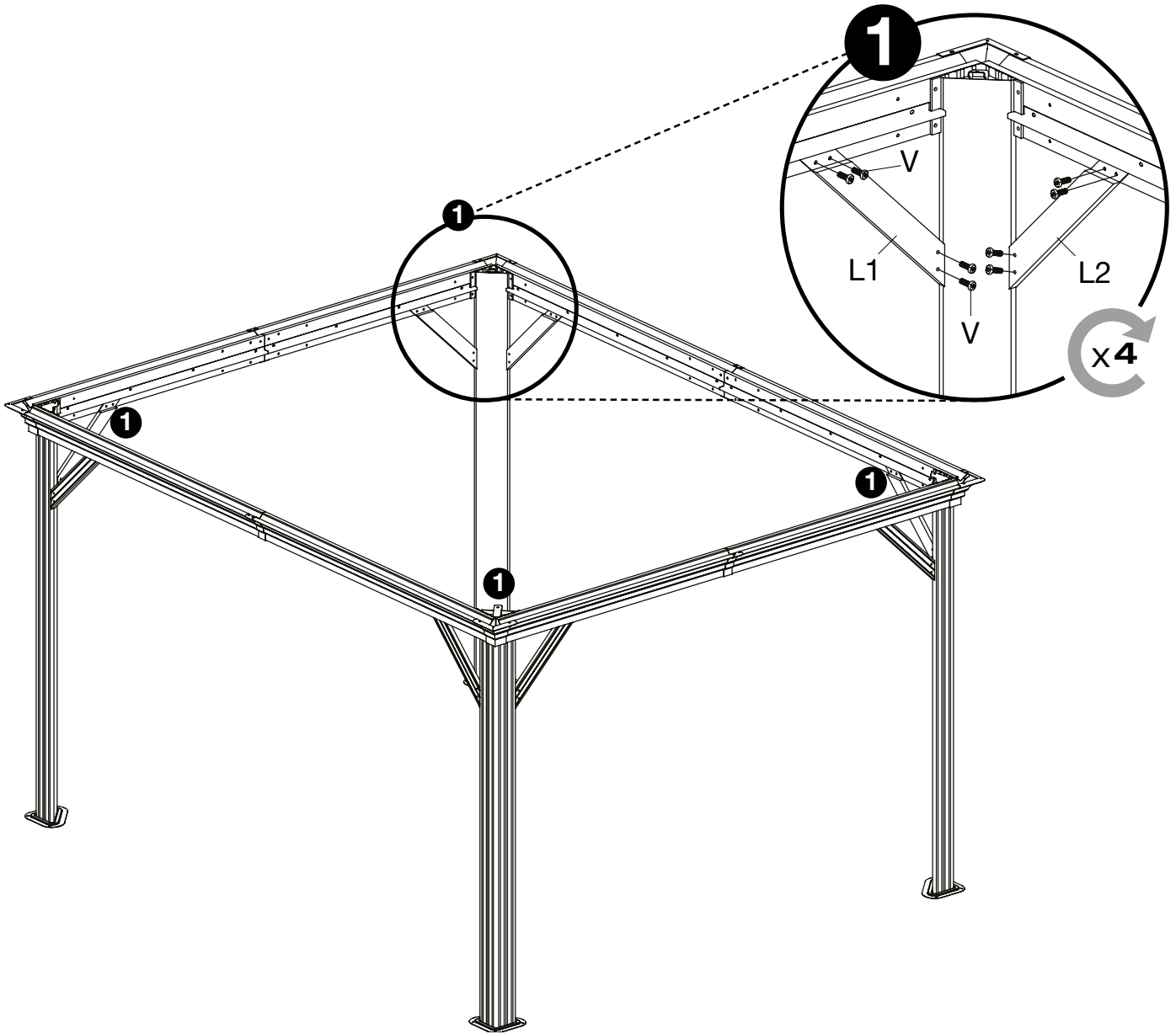
Xx16





This section contains a parts list and tool icons. On the right, there are two circular icons showing a hex key and a screwdriver. Below them is a grey rectangular area containing the following items:

- W_{x4}**: A corner bracket.
- W1_{x4}**: A horizontal beam.
- V_{x4}**: A screw.
- Y_{x24}**: A screw.

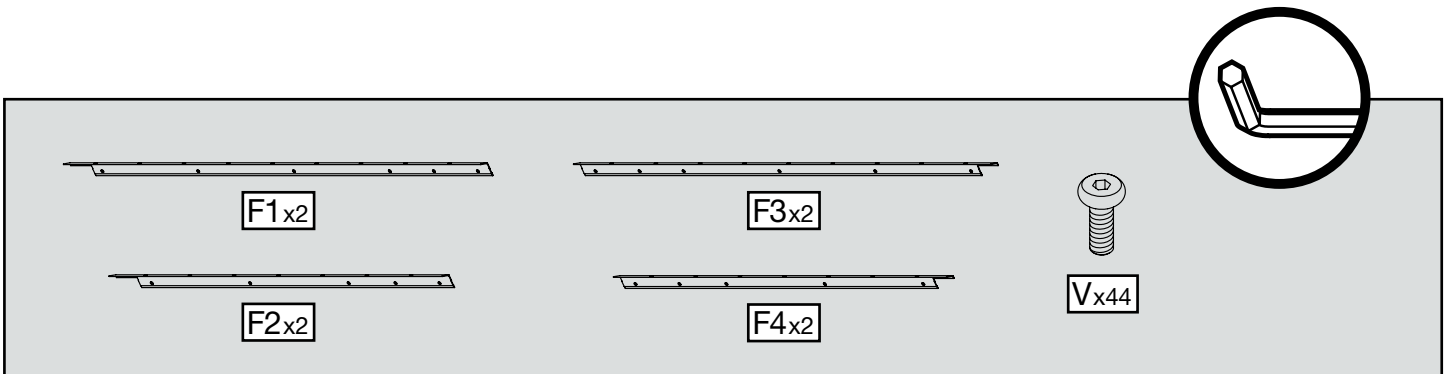
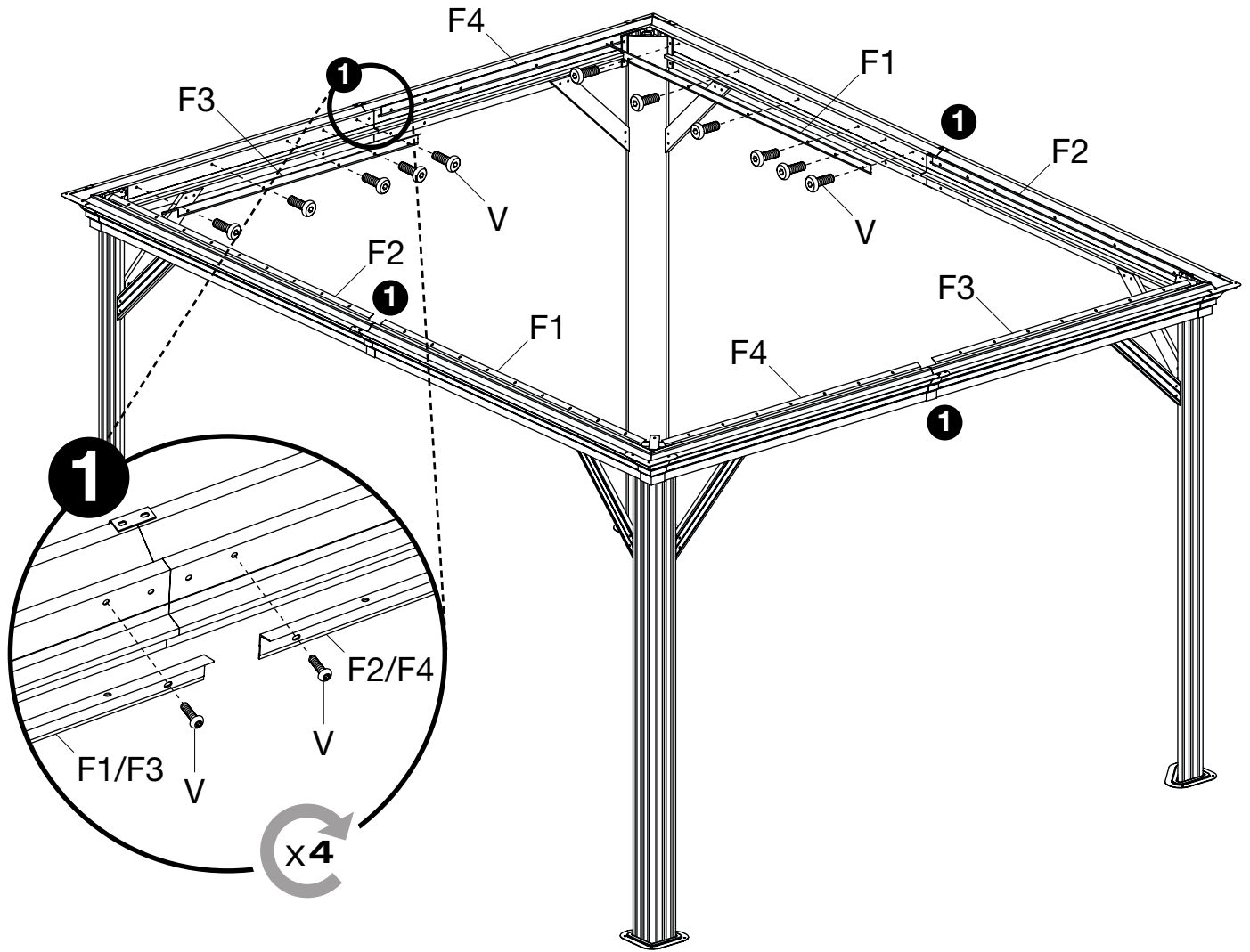


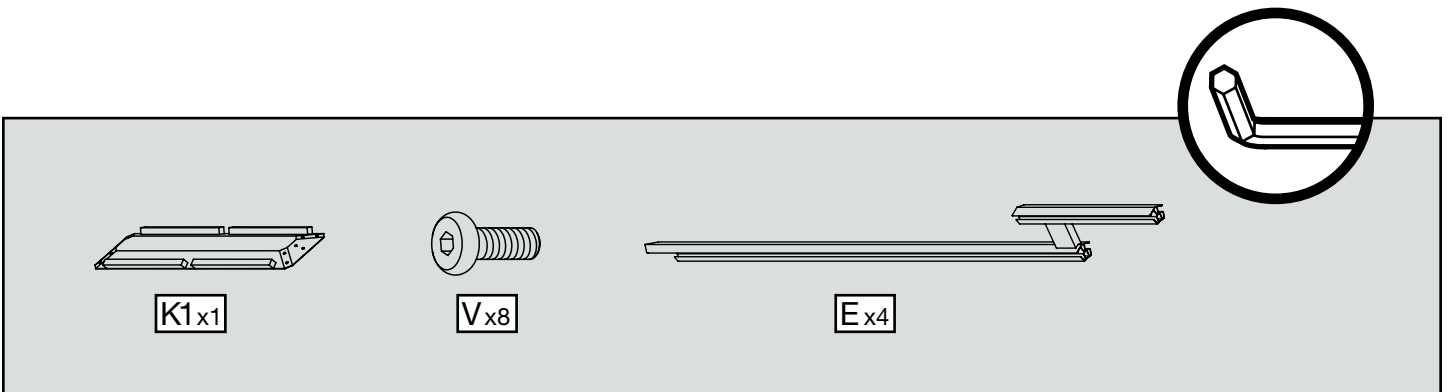
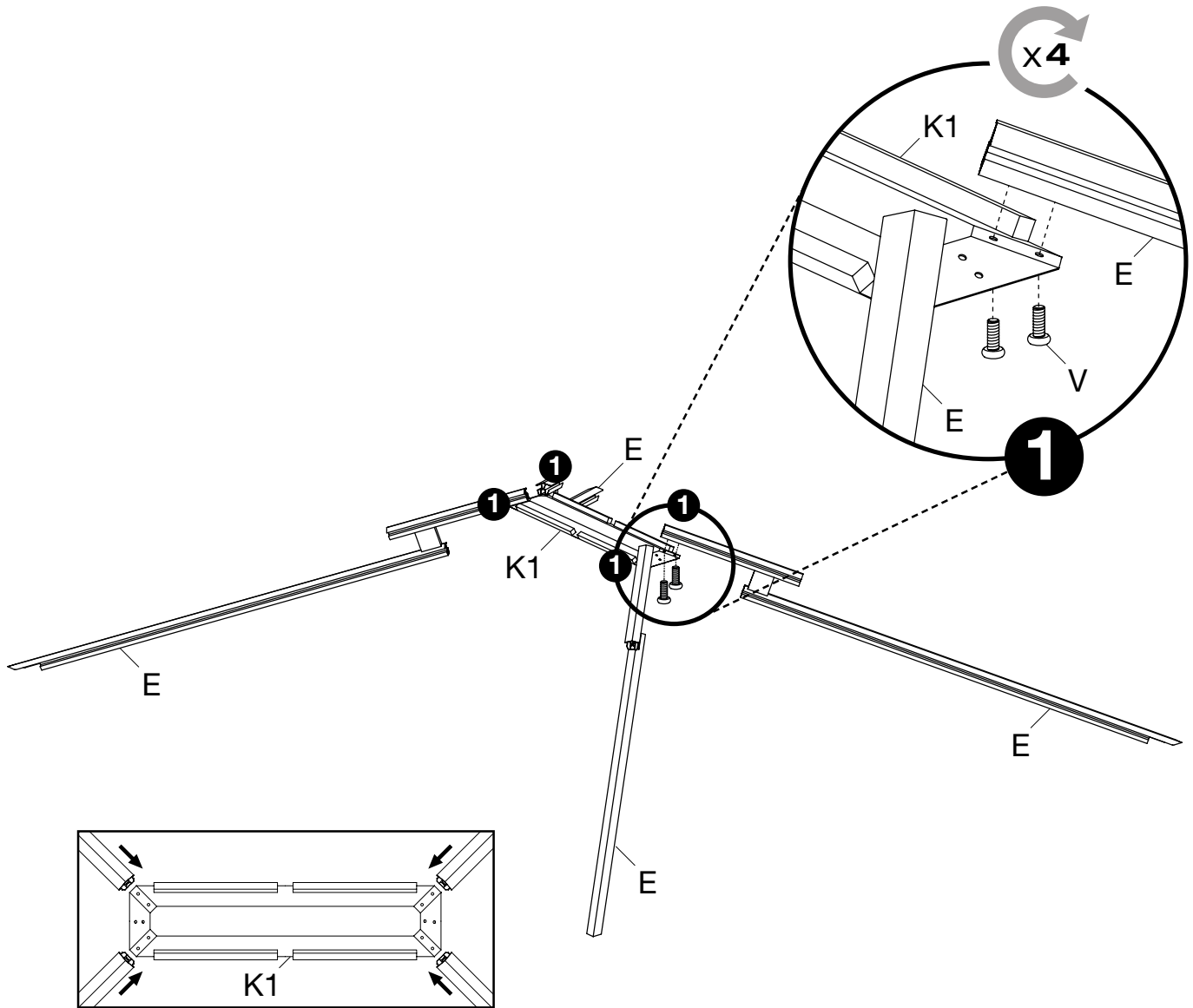
This section contains the parts list for the assembly step. It includes three items: L1, L2, and V. Each item is represented by a small illustration and a label in a box. L1 is a long L-shaped bracket, L2 is a shorter L-shaped bracket, and V is a screw. A circular inset on the right shows a corner joint, which is the same as the one shown in the main diagram.

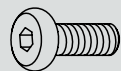
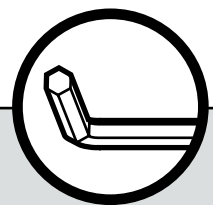
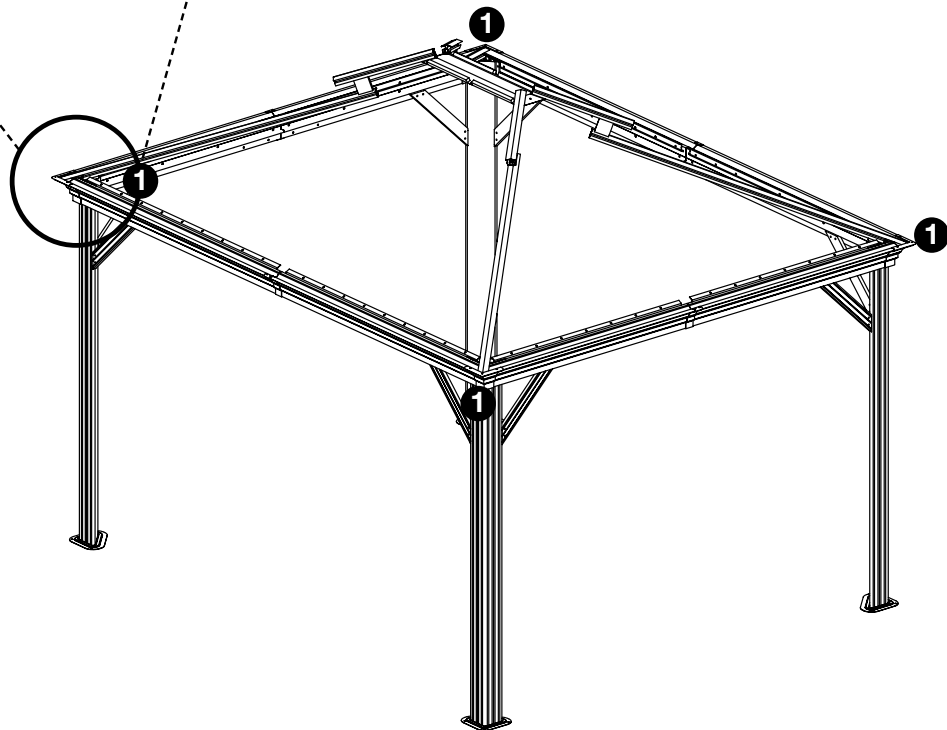
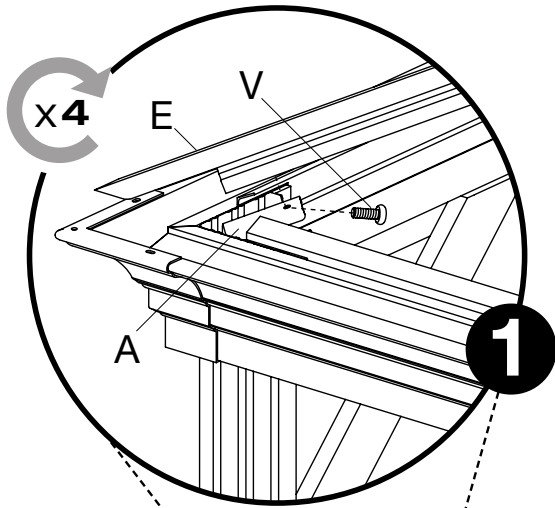
L1x4

L2x4

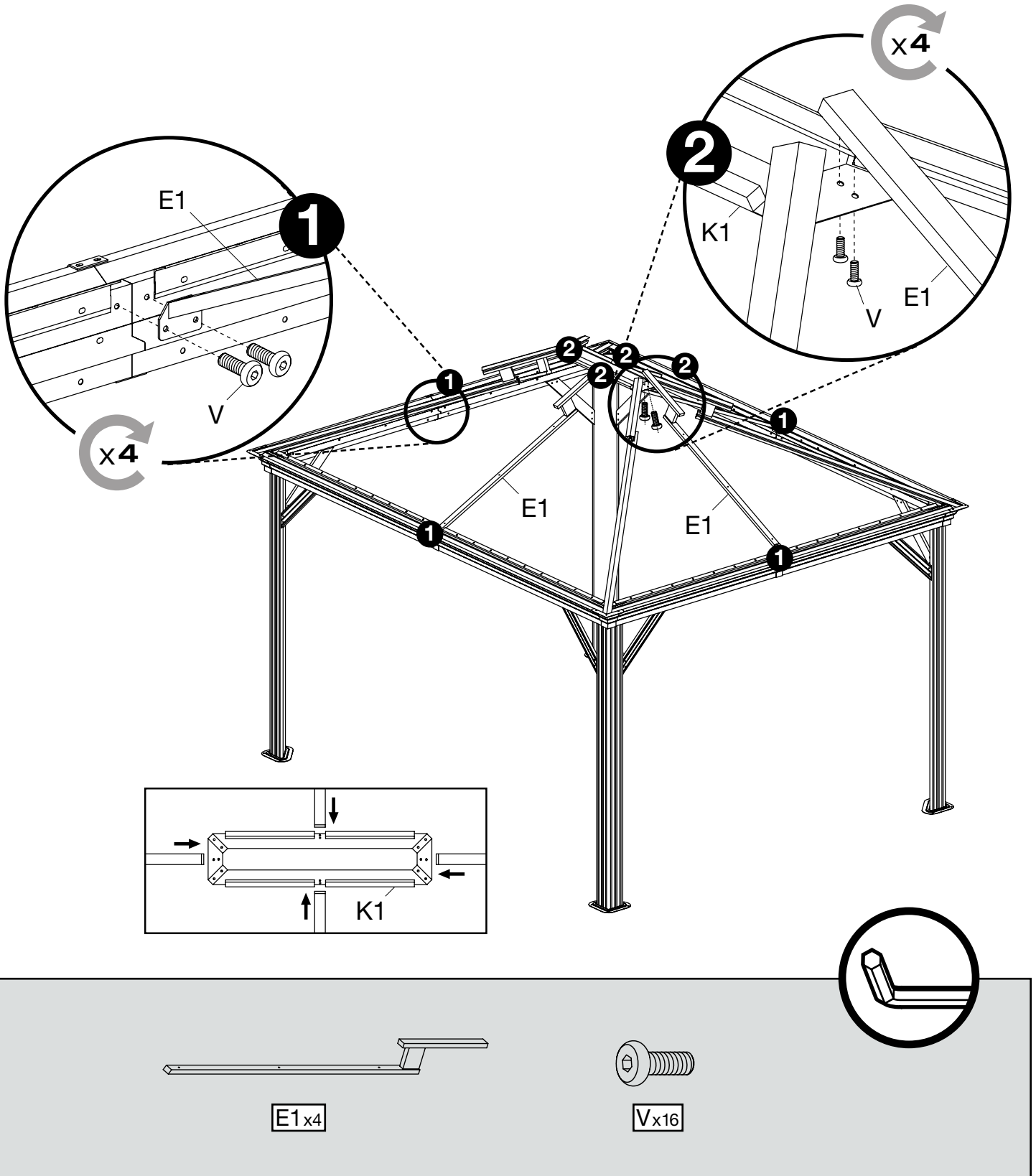
Vx32

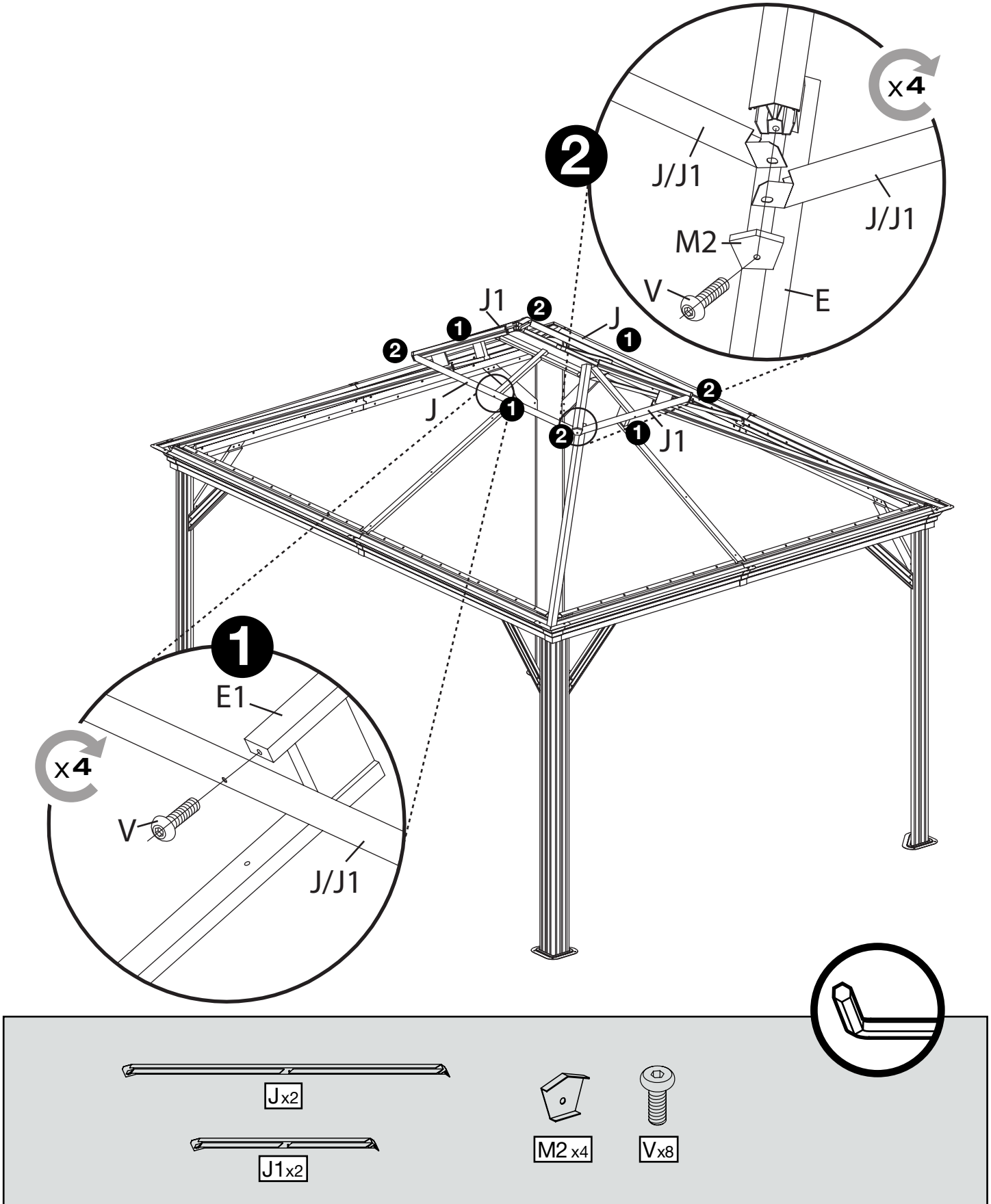


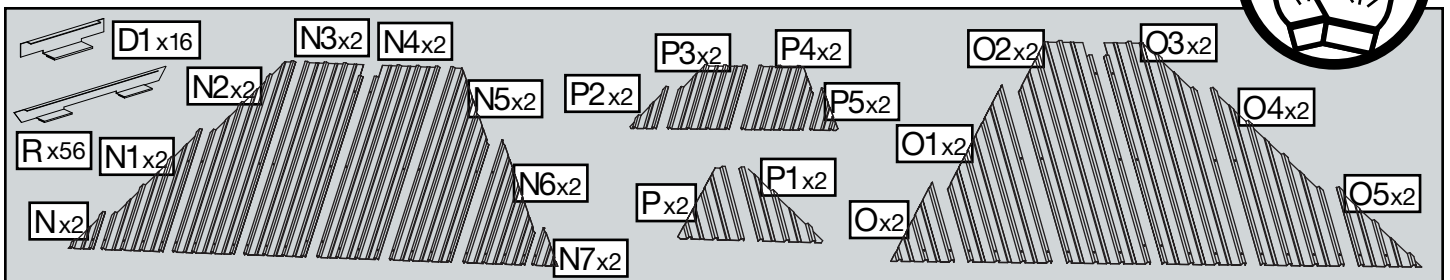
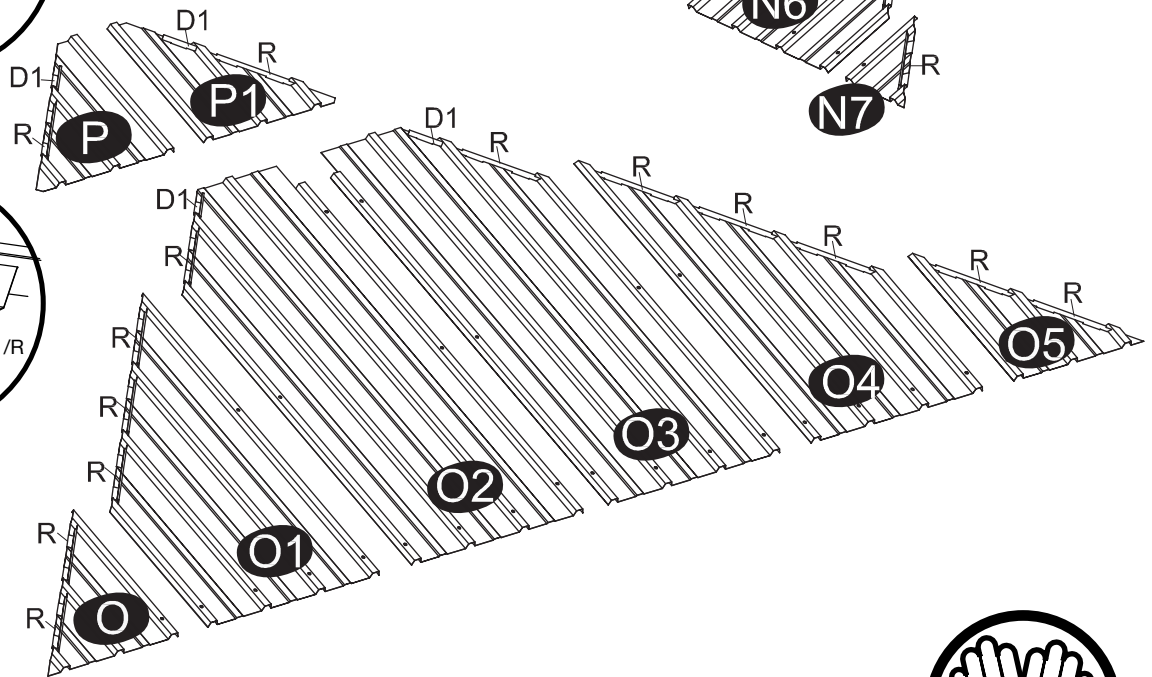
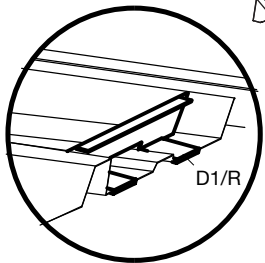
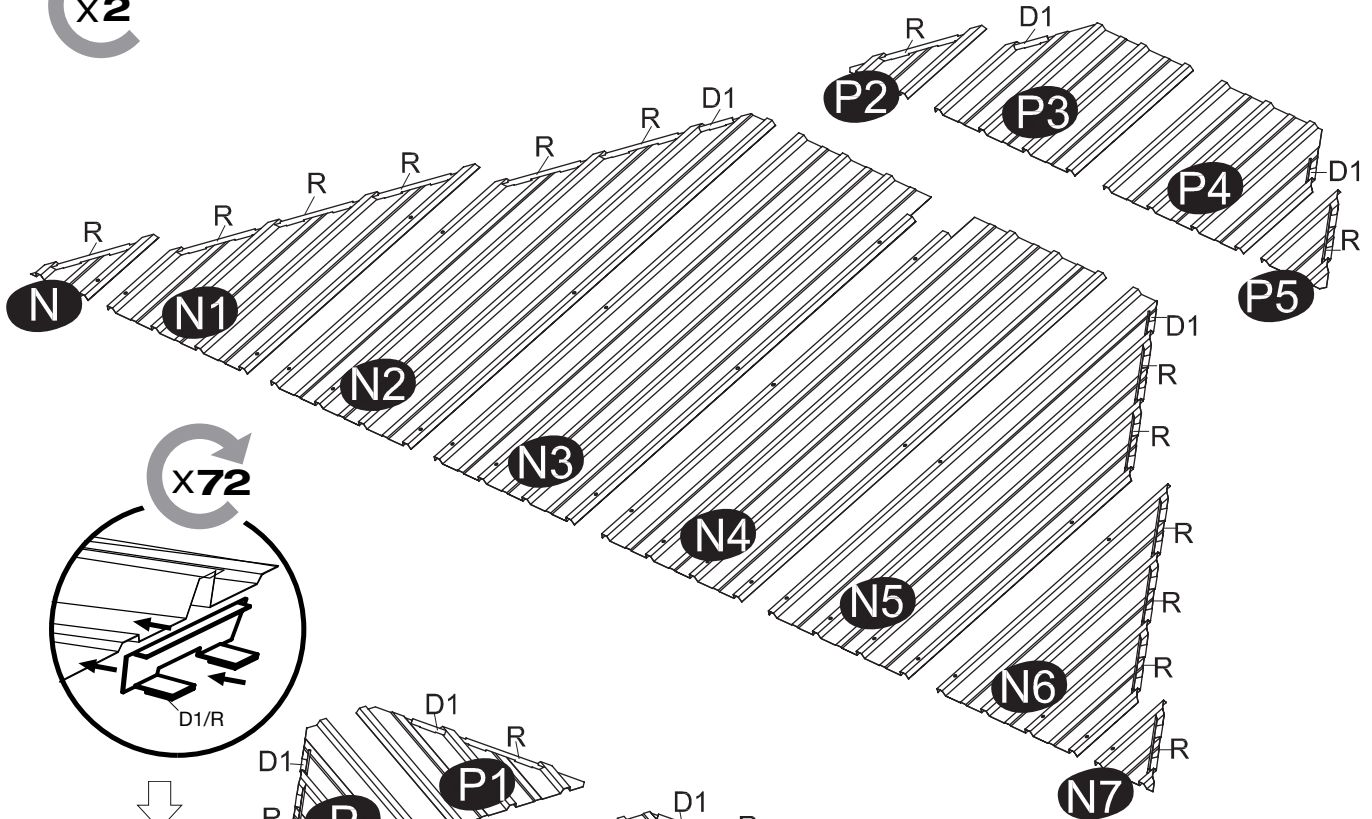


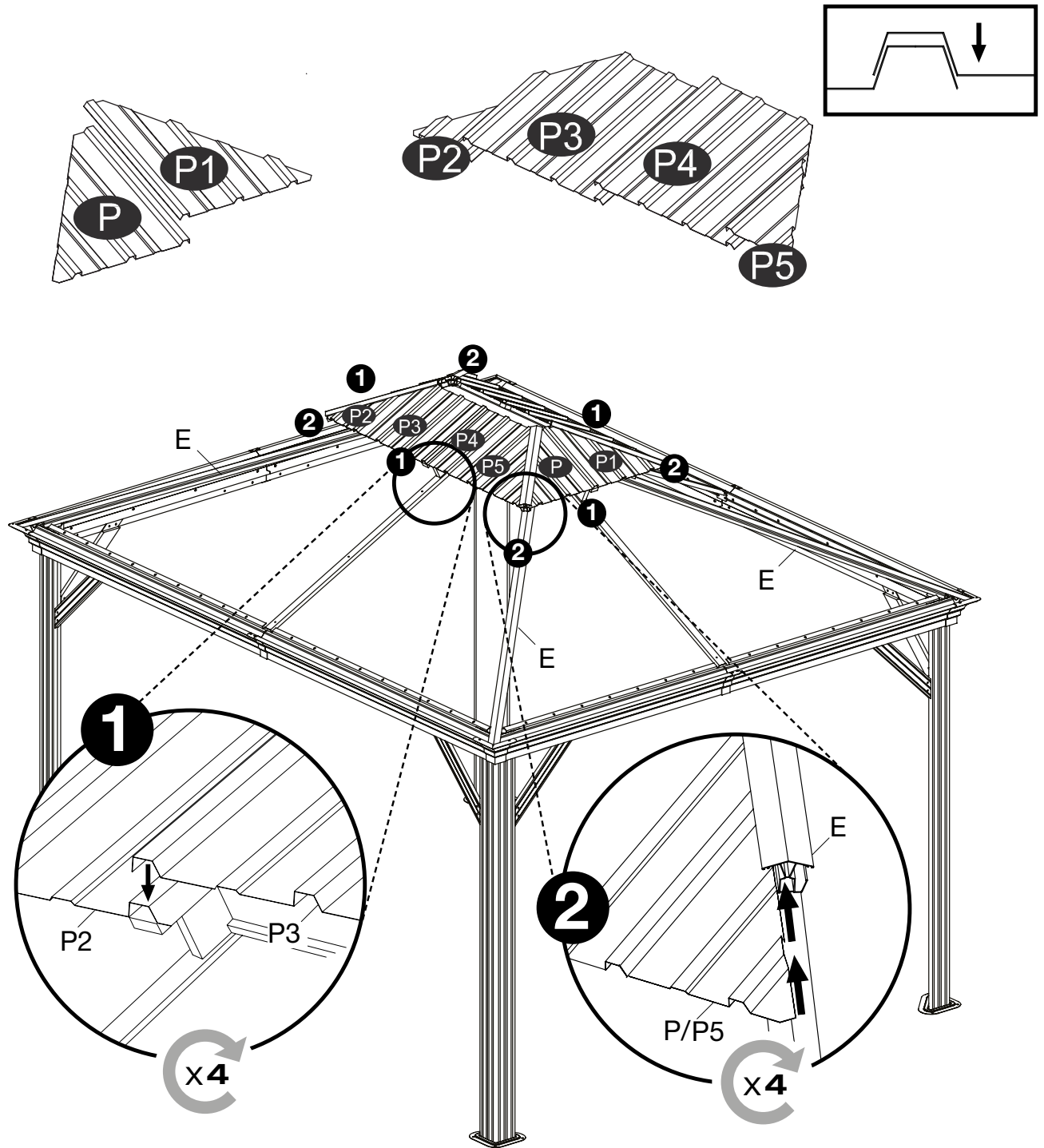


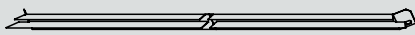
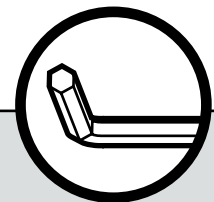
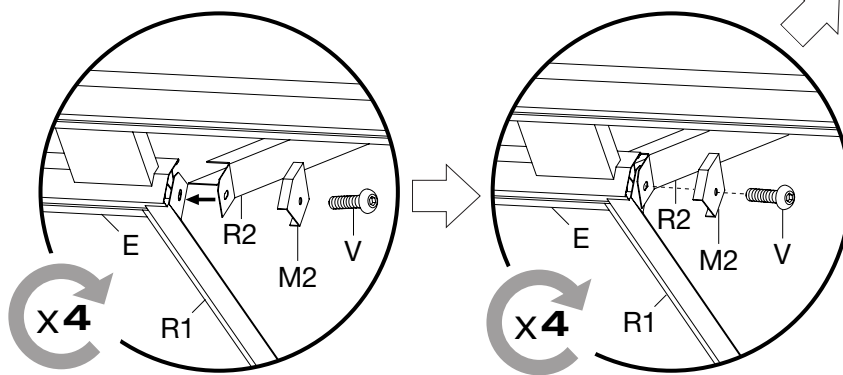
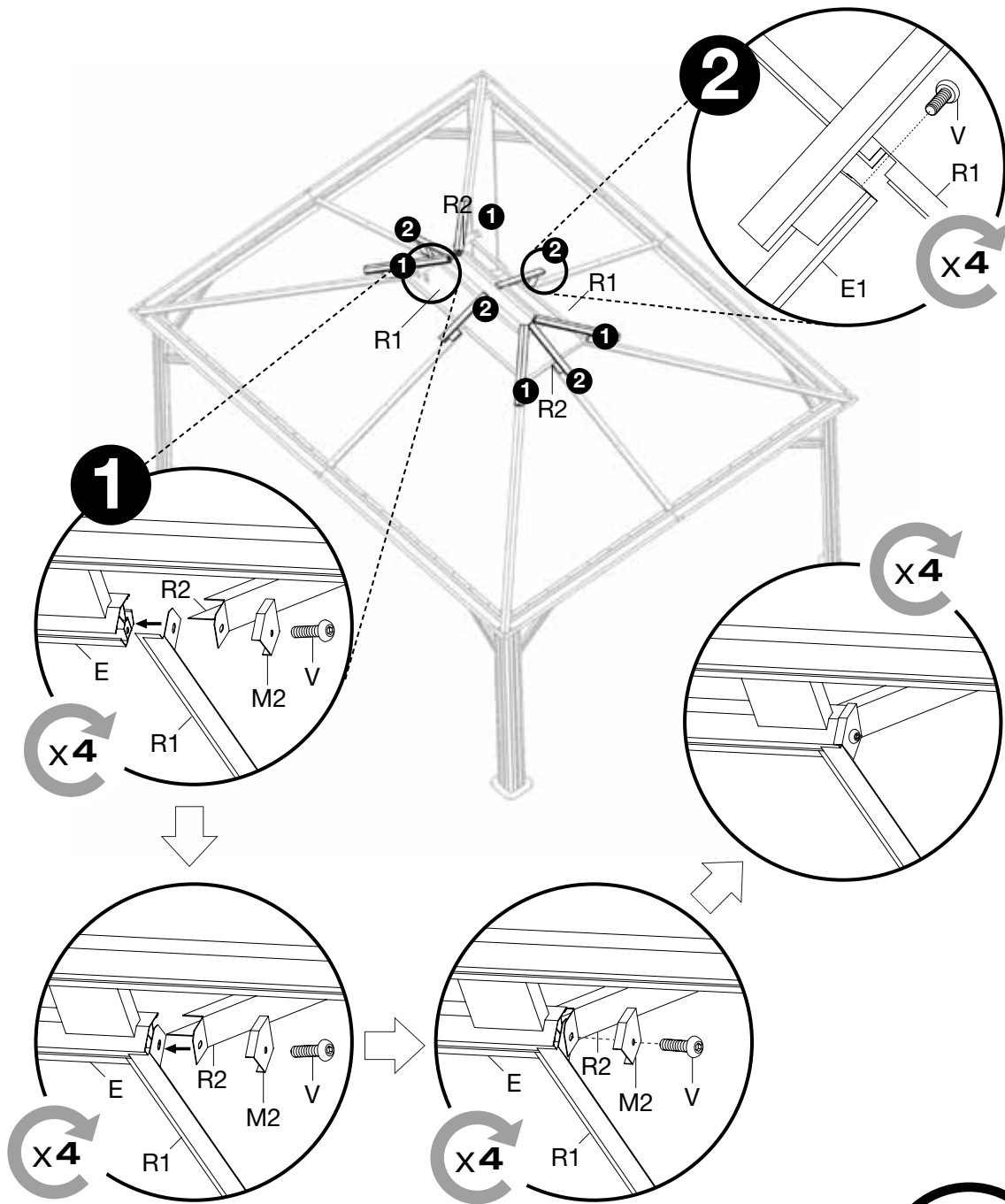
Vx4



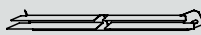




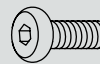




R1 x2



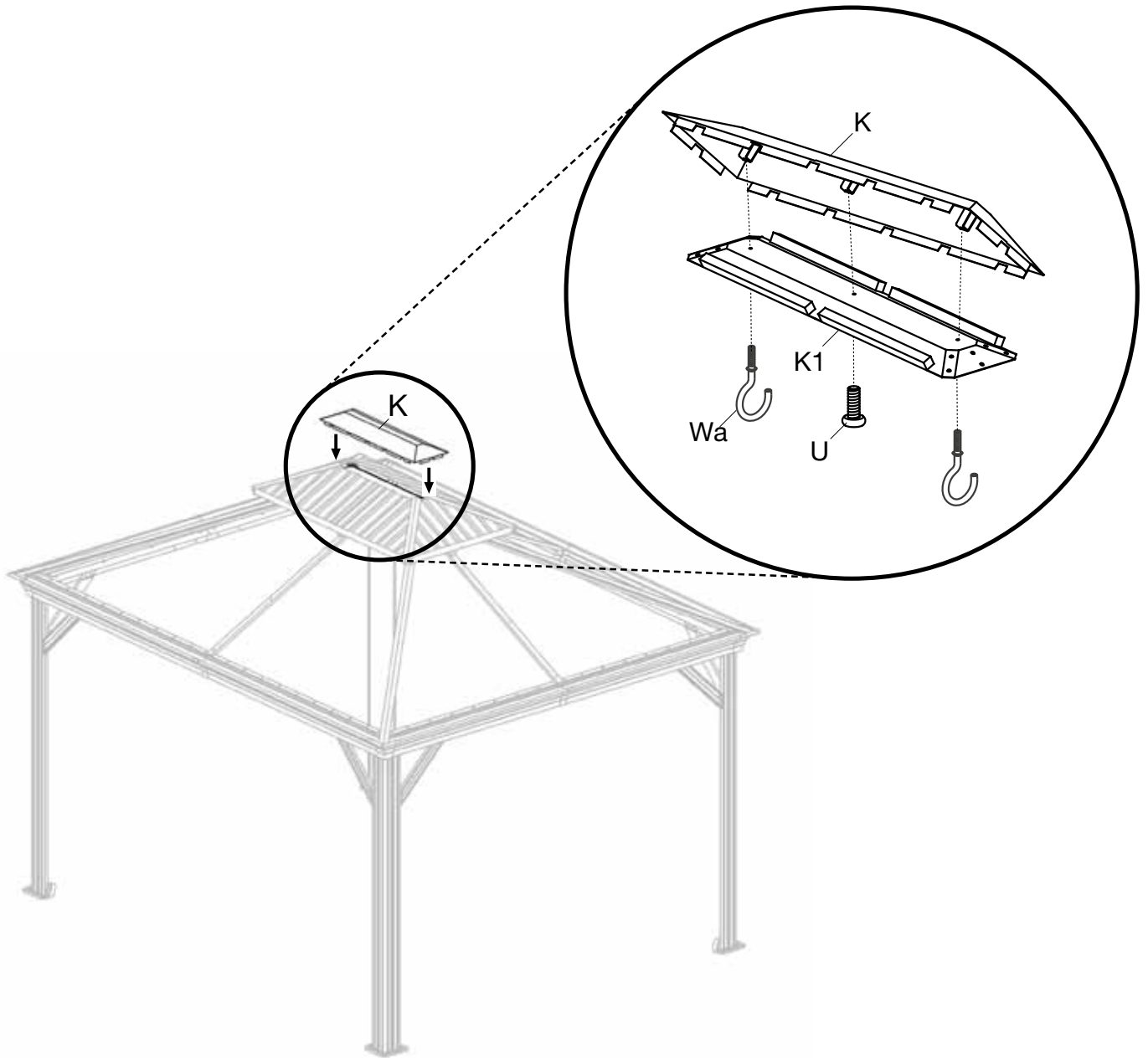
R2 x2




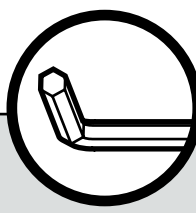
V x8

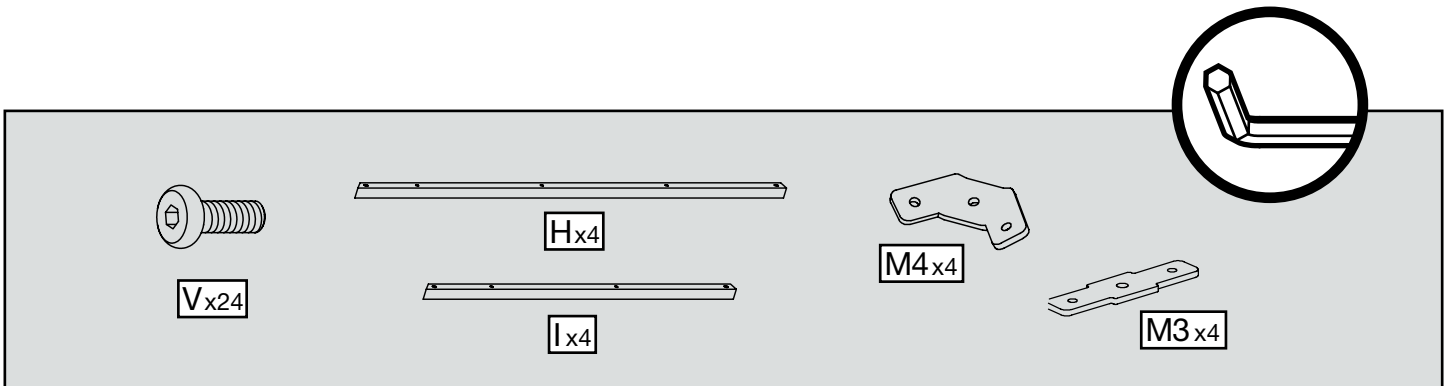
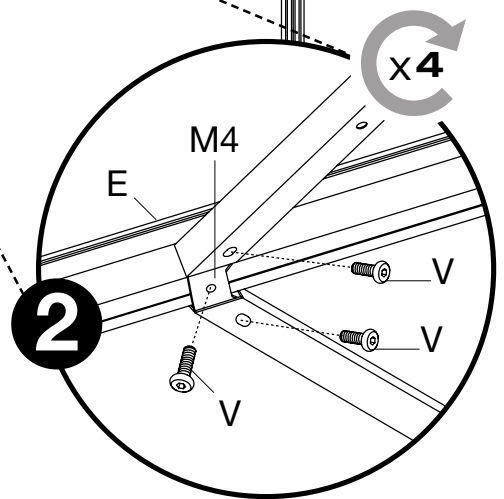
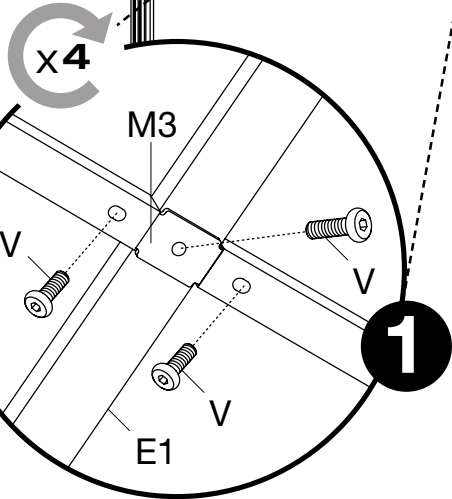
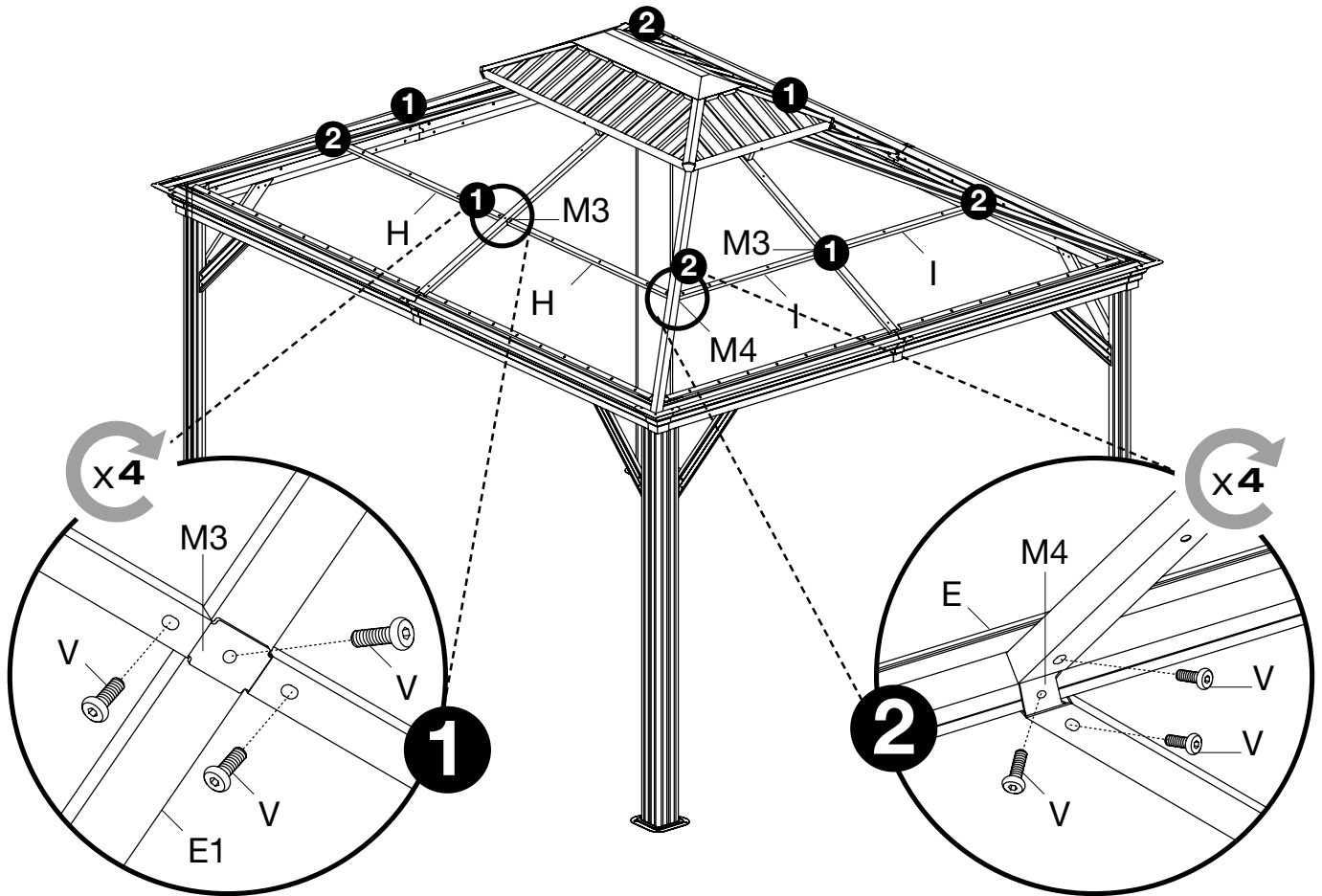


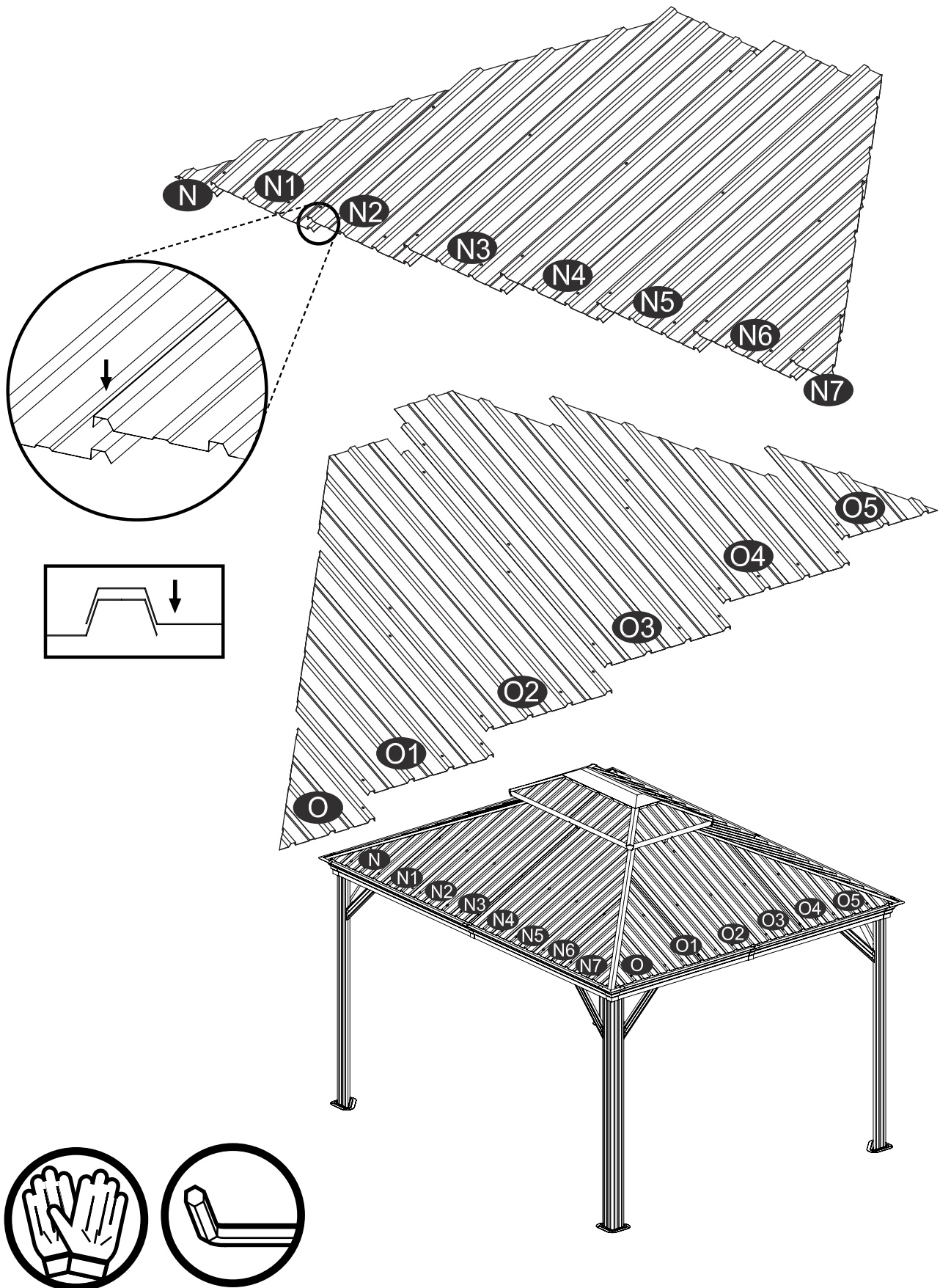
M2 x4



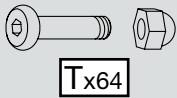
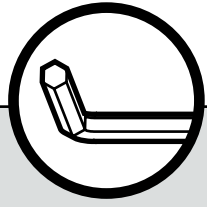
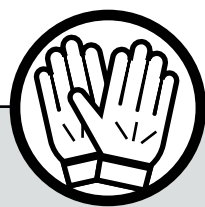
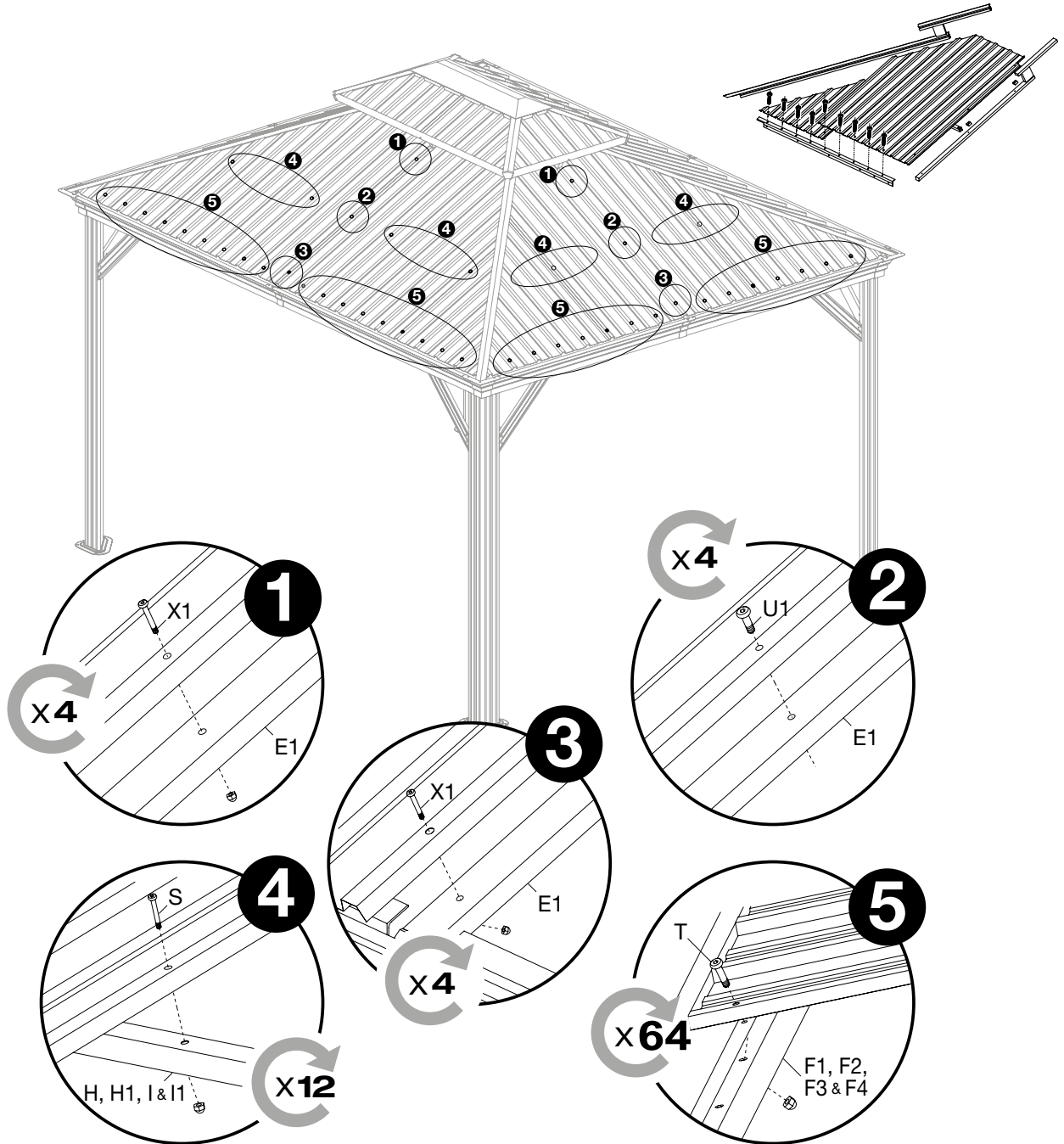
Wa x2 K x1 U x1

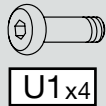




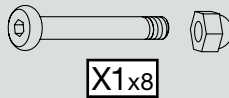
18A/19



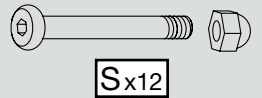
T x 64



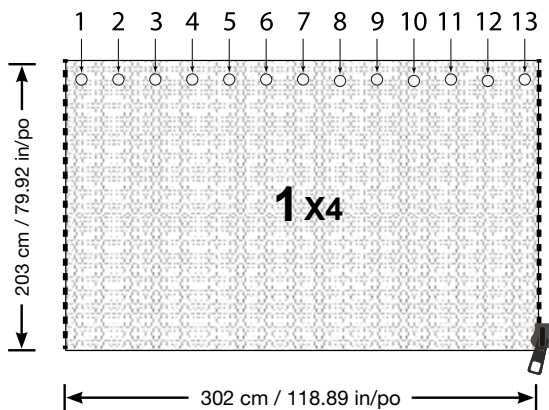
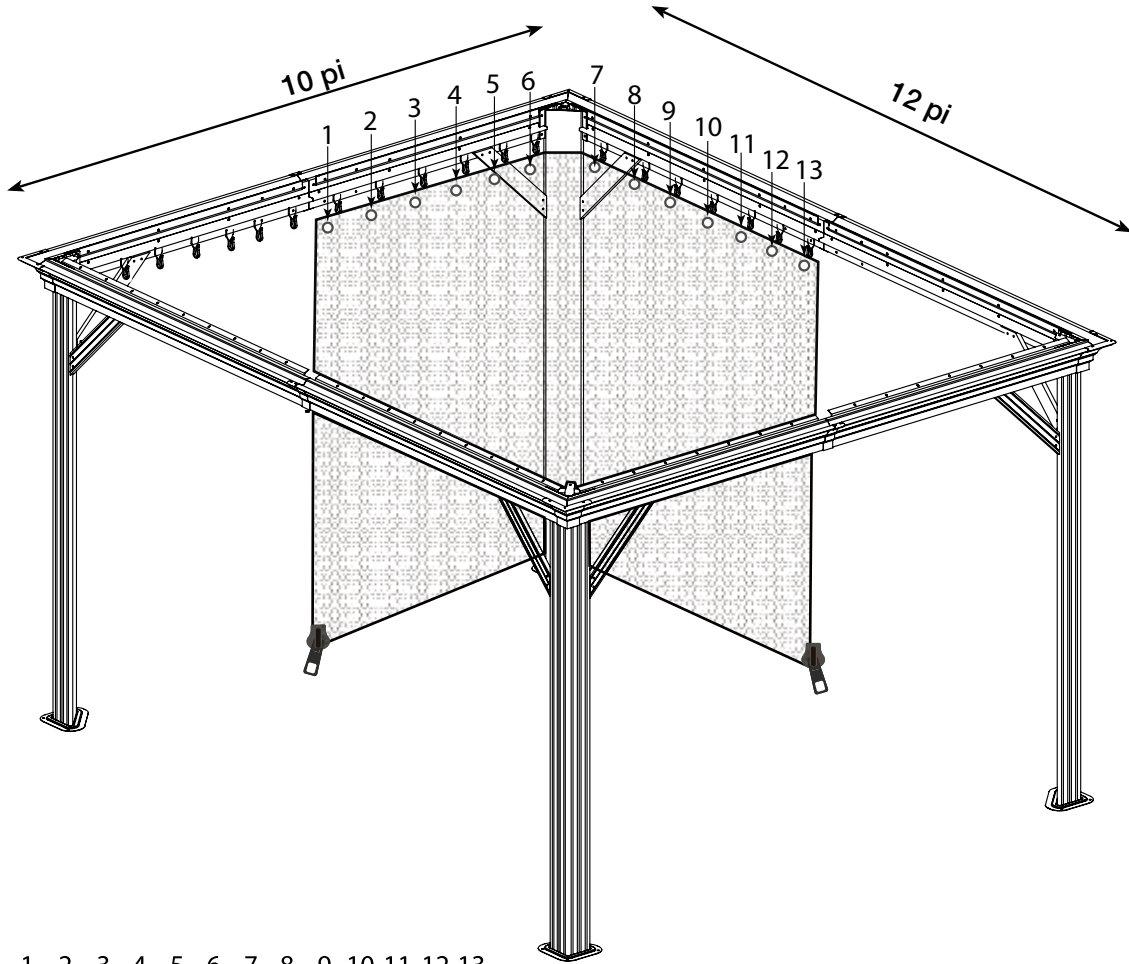
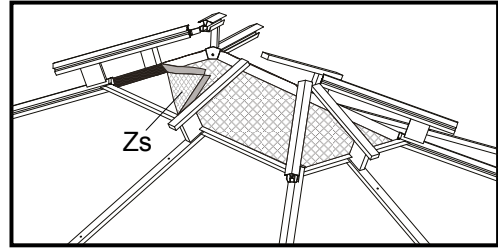
U 1 x 4



X 1 x 8



S x 12



Distributed by:
Costco Wholesale Corporation
P.O. Box 34535
Seattle, WA 98124-1535
USA
1-800-774-2678
www.costco.com

Costco Wholesale Canada Ltd.*
415 W. Hunt Club Road
Ottawa, Ontario
K2E 1C5, Canada
1-800-463-3783
www.costco.ca

* faisant affaire au Québec sous
le nom les Entrepôts Costco

Costco Wholesale UK Ltd /
Costco Online UK Ltd
Hartspring Lane
Watford, Herts
WD25 8JS
United Kingdom
01923 213113
www.costco.co.uk

Costco Wholesale Spain S.L.U.
Polígono Empresarial Los Gavilanes
C/ Agustín de Betancourt, 17
28906 Getafe (Madrid) España
NIF: B86509460
900 111 155
www.costco.es

Costco Wholesale Japan Ltd.
3-1-4 Ikegami-Shincho
Kawasaki-ku, Kawasaki-shi,
Kanagawa 210-0832 Japan
0570-032600
www.costco.co.jp

Costco Wholesale Korea, Ltd.
40, Iljik-ro
Gwangmyeong-si
Gyeonggi-do, 14347, Korea
1899-9900
www.costco.co.kr

Importado por:
Importadora Primex S.A. de C.V.
Blvd. Magnocentro No. 4
San Fernando La Herradura
Huixquilucan, Estado de México
C.P. 52765
RFC: IPR-930907-S70
(55)-5246-5500
www.costco.com.mx

Costco Wholesale Australia Pty Ltd
17-21 Parramatta Road
Lidcombe NSW 2141
Australia
www.costco.com.au

Costco Wholesale Iceland ehf.
Kauptún 3-7, 210 Gardabaer
Iceland
www.costco.is

Shanghai Minhang Costco Trading Co., Ltd
No.235 ZhuJian Road
Minhang District, Shanghai
China 201106
+86-21-6257-7065

Costco President Taiwan, Inc.
No. 656 Chung-Hwa 5th Road
Kaohsiung, Taiwan
Company Tax ID: 96972798
449-9909 or 02-449-9909 (if cellphone)
www.costco.com.tw

Costco France
1 avenue de Bréhat
91140 Villebon-sur-Yvette
France
01 80 45 01 10
www.costco.fr

MADE IN CHINA
FABRIQUÉ EN CHINE
HECHO EN CHINA



SOJAG ■ I
produits saisonniers • seasonal products