

# TP164 Pirate Galleon



Instructions for assembly, maintenance and safe use.  
Please retain for future reference.



## WARNINGS!

THIS PRODUCT CONTAINS SMALL PARTS AND IS NOT SUITABLE FOR CHILDREN UNDER 36 MONTHS. SMALL PARTS ARE A CHOKING HAZARD.

THIS PRODUCT IS INTENDED FOR USE BY CHILDREN AGED 3-10 YEARS.

ONLY FOR DOMESTIC USE. FOR OUTDOOR USE ONLY.

TOY MUST BE ASSEMBLED BY AN ADULT BEFORE USE.

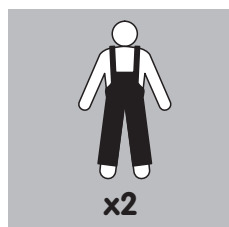
CHILDREN MUST NOT USE THIS PRODUCT UNTIL PROPERLY INSTALLED. ADULT SUPERVISION REQUIRED.

REMOVE ALL PACKAGING BEFORE GIVING TO YOUR CHILDREN.

RETAIN PACKAGING FOR FUTURE REFERENCE.

ANCHORS THAT ARE SUPPLIED WITH THIS PRODUCT MUST BE FITTED BEFORE USE.

**WARNING:** MAXIMUM COMBINED USER WEIGHT 150KGS



Robovision Ltd t/a TP Toys

Unit 11, Enterprise Way, Flitwick, Bedfordshire, MK45 5BX England

[www.tptoys.com](http://www.tptoys.com)

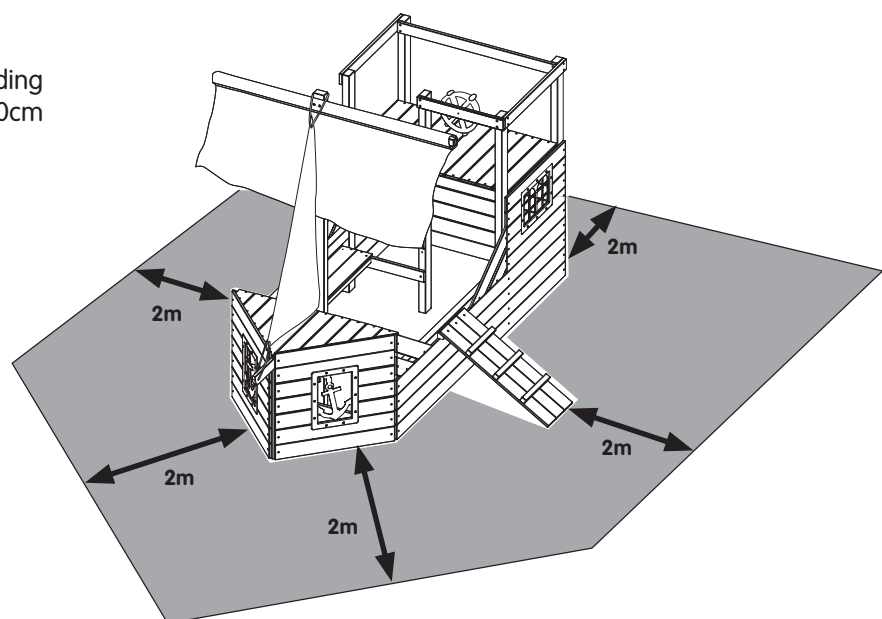
## Important advice for assembly, maintenance and safe use

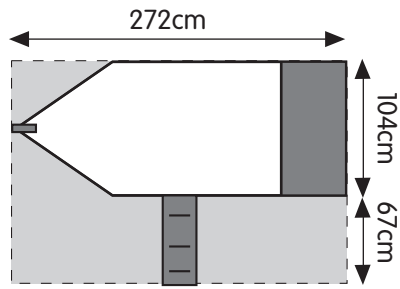
1. Toy must be assembled by an adult before use exactly in accordance with the instructions.
2. Children must not use this product until properly installed.
3. Check all parts are present before you start to assemble the product. Place small parts on a tray or similar to ensure they are not lost. The manufacturing process can very occasionally result in sharp edges/waste material so please take care when assembling this product.
4. If any parts are missing do not use the product until the replacement parts are fitted.
5. Ensure your product is sited on level ground. Failure to do this may put additional stress on connections and joints and in time could cause them to fail.
6. Ensure your product is located on a soft impact surface like grass. Never locate your product on a hard surfaces like concrete.
7. Anchors supplied with this product must be fitted before use.
8. In freezing weather, detachable plastic parts should be stored inside.
9. Avoid locating this product in full sun.
10. Remove all packaging before giving to your children or allowing them to play with this product.
11. Equipment should be checked by an adult at the beginning of each season and at regular intervals during the usage season to ensure it is safe. Pay special attention to all connections and fastenings .
12. Parts may need to be replaced if they show signs of wear and tear. Replace any defective parts in accordance with these instructions.
13. Any changes to this toy including changing or adding an accessory, must be done in accordance with our instructions. Failure to do this will render your guarantee null and void and may make your product unsafe.
14. Ensure children's clothing is appropriate for the play activity.
15. Never place toys near a fire.
16. Take care in wet weather. Toys can become slippery.
17. In high winds, ensure outdoor toys are moved to a sheltered position and/or securely staked down.
18. The age recommendation for this product is clearly stated on the packaging and in these instructions. Please adhere to it at all times. Adult supervision is required at all times to ensure children play safely.
19. When you dispose of this equipment please do so responsibly.

### Safe play free space area

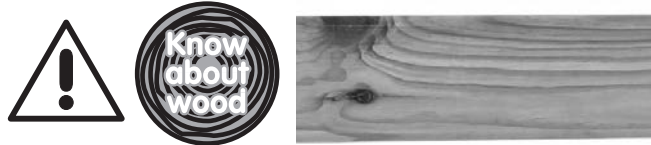
The safe play area refers to the zone extending 200cm around the toys on all sides and 250cm above the toy.

The safe play area must be free from all obstacles.





Height to front platform: 68cm  
 Height to rear platform: 88cm  
 Height to rear guardrail: 140cm  
 Maximum height of this set: 206cm



## Know About Wood

Unlike steel, wood is a natural, organic material and each piece will be unique, bearing its own knots, cracks and variations in colour and, unlike steel, wood will react significantly to changes in atmospheric conditions.

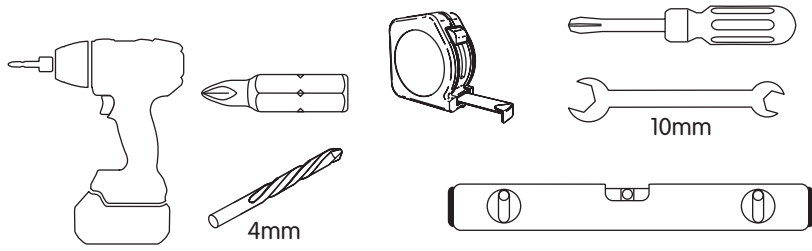
Wood will expand and contract as fluctuations of temperature and humidity affect the water content of the cell structure. In warm sunny weather it will shrink and in wet weather it will expand. As these physical changes do not, necessarily, take place uniformly throughout a piece of wood, forces are set up which cause cracks and splits to arise.

It is not necessary to stain your Wooden frame.

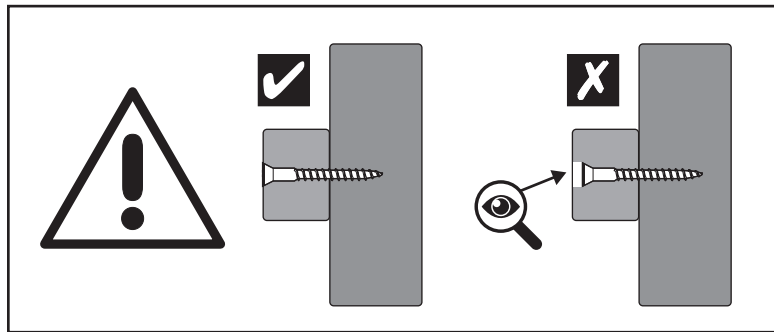
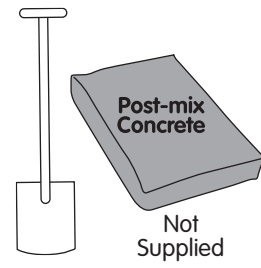
It is made from selected wood which has been pressure treated. This is a process by which preservatives are forced under pressure into the fabric of the timber to protect it from decay and insect damage.

If you do wish to stain your Wooden frame for aesthetic reasons, please use a water-based stain, which is available from any good DIY store.

**Tools - You will need:**



**Also Required:**

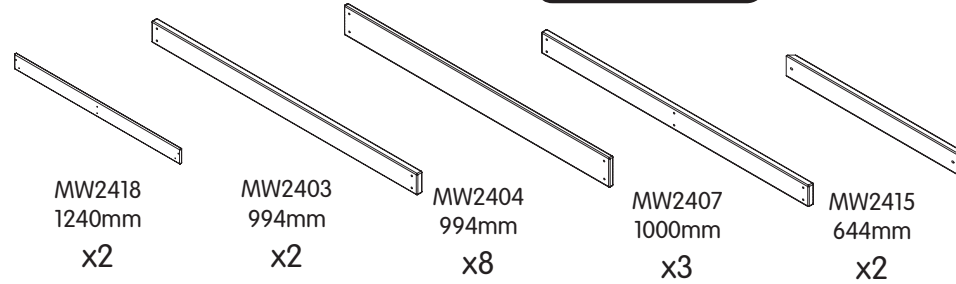


**Contents - Please check**

**Pack - 1**

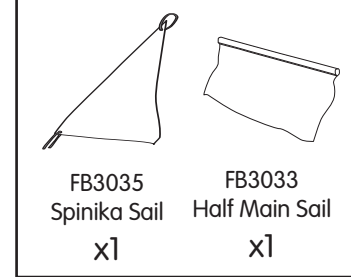
 MW2406 245mm x12	 MW2410 193mm x8	 MW2420 264mm x4	 MW2424 288mm x3	 MW2423 285mm x1	 MW2425 146mm x1	 MW2416 350mm x1	 MW2413 511mm x5
 MW2399 694mm x12	 MW2402 694mm x2	 MW2414 590mm x10	 MW2430 455mm x2	 MW2419 520mm x4	 MW2427 152mm x2	 MW2428 255mm x2	 MW2429 355mm x2
 MW2431 551mm x2							

**Pack - 2**

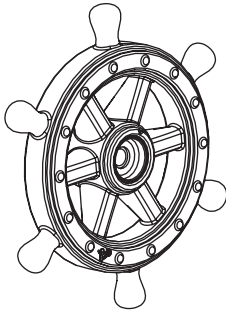


MW2418 1240mm x2  
 MW2403 994mm x2  
 MW2404 994mm x8  
 MW2407 1000mm x3  
 MW2415 644mm x2

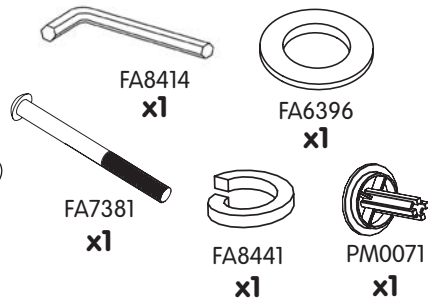
**SP3010**



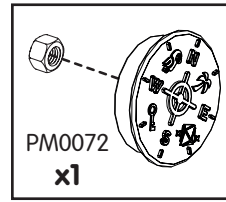
FB3035 Spinika Sail x1  
 FB3033 Half Main Sail x1



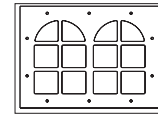
PM0070 x1



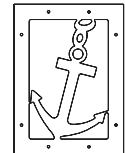
FA8414 x1  
 FA6396 x1  
 FA7381 x1  
 FA8441 x1  
 PM0071 x1



PM0072 x1



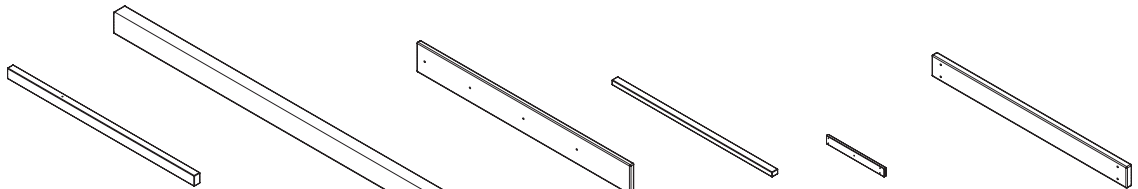
PM2085 Cabin Window x2



PM2086 Anchor Window x2



PM2001 Ground Peg x2



MW2400 1397mm x5  
 MW2421 1240mm x2  
 MW2422 800mm x3  
 MW2426 1200mm x1  
 MW2408 542mm x1  
 MW2409 730mm x2

**SP0164**



FA8274 5x15mm x40



FA9767 5x40mm x335



FA9768 5x60mm x16

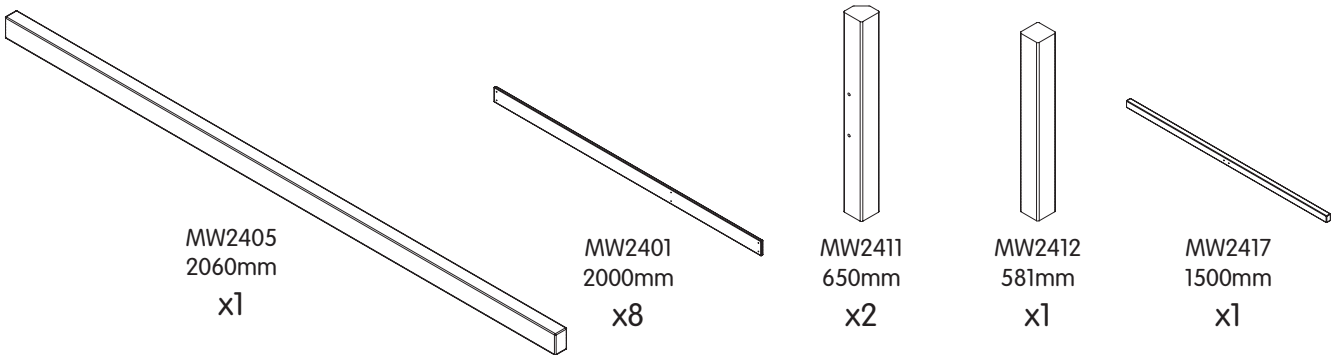


FA4521 5x80mm x2

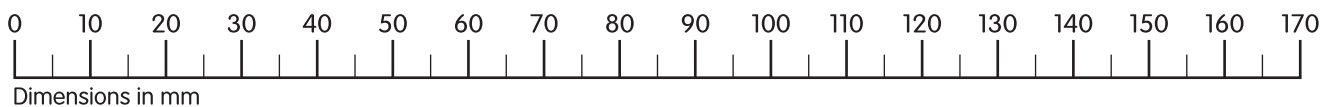


FA9784 6x150mm x5

**Pack - 3**



MW2405 2060mm x1  
 MW2401 2000mm x8  
 MW2411 650mm x2  
 MW2412 581mm x1  
 MW2417 1500mm x1

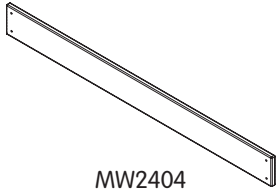


Dimensions in mm

1



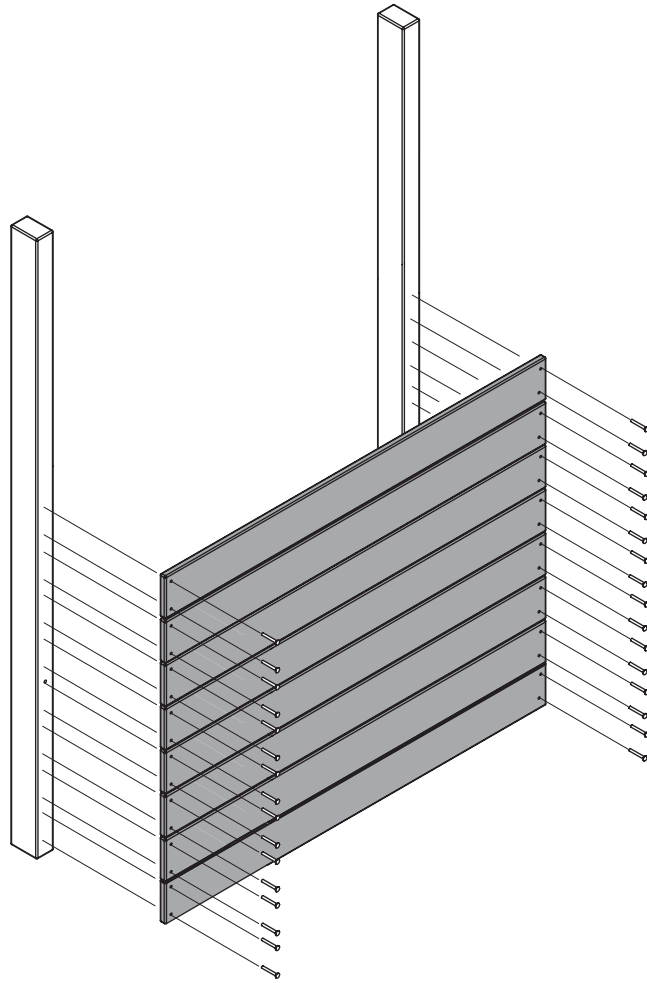
MW2400  
x2



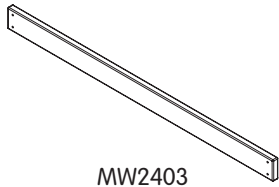
MW2404  
x8



FA9767  
5x40mm  
x32



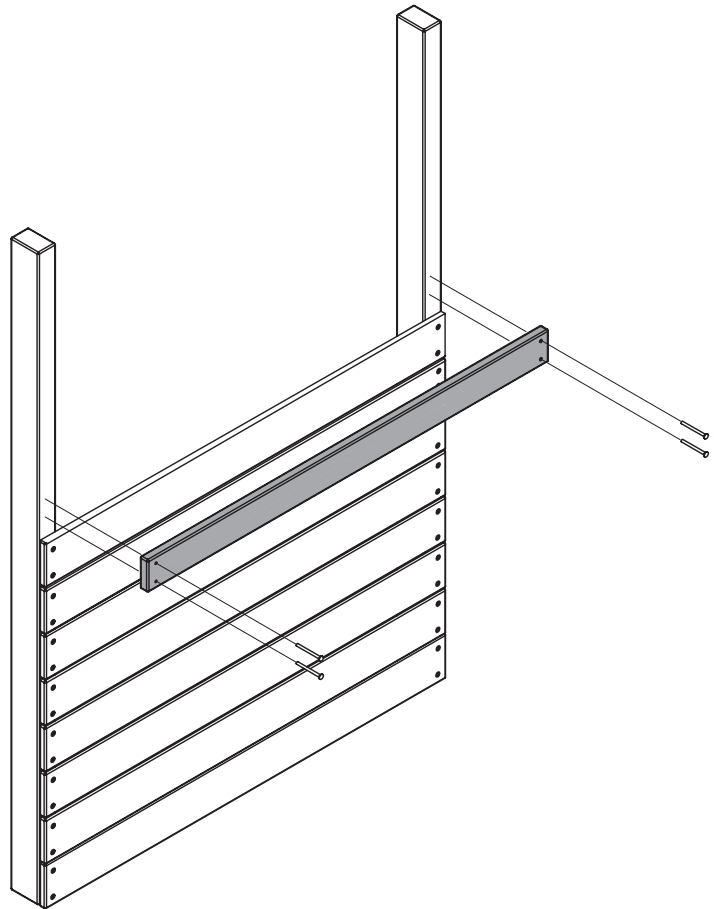
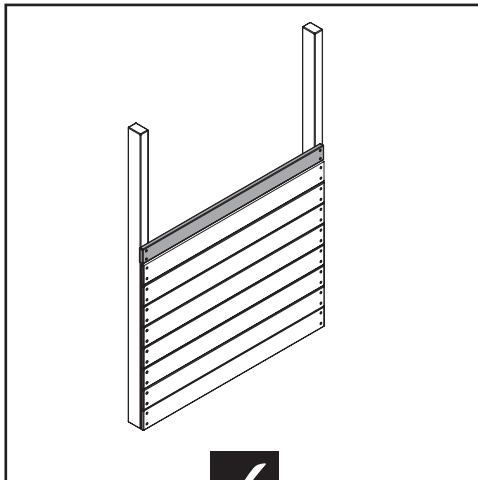
2



MW2403  
x1

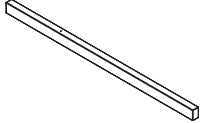




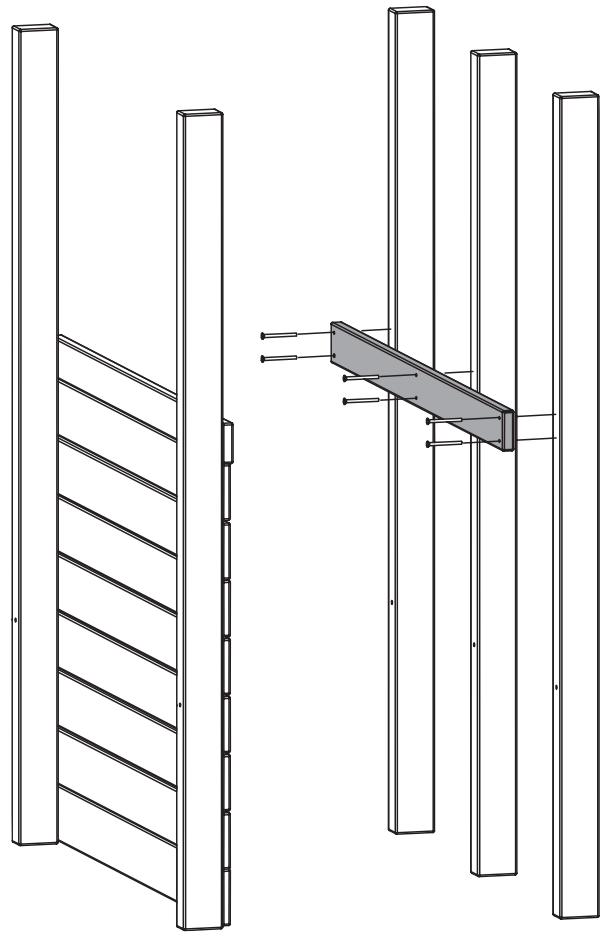
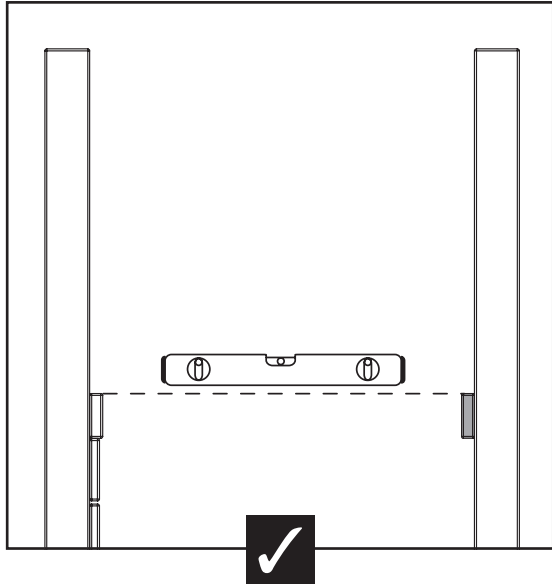
FA9768  
5x60mm  
x4





6

3

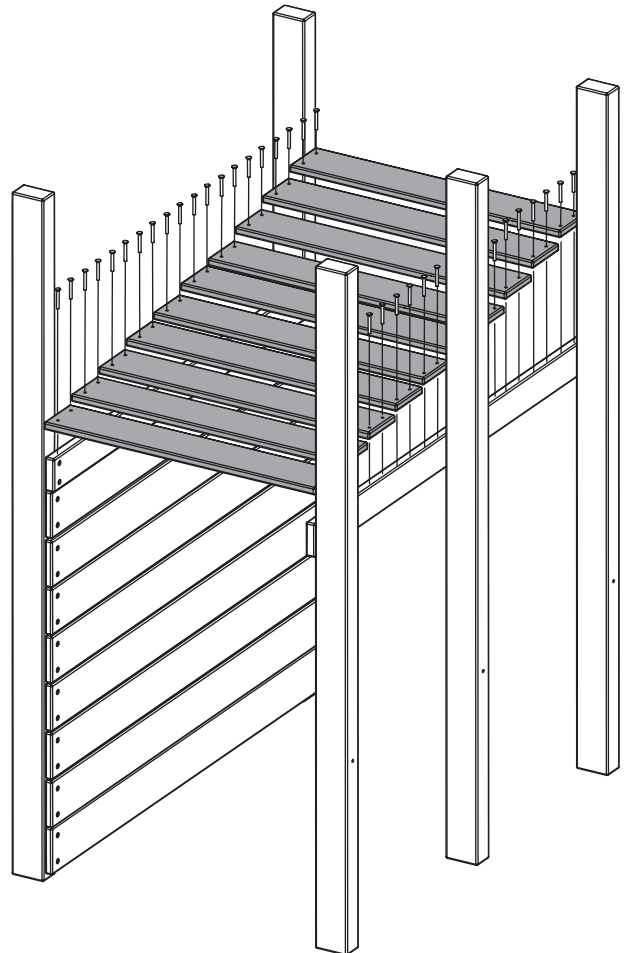
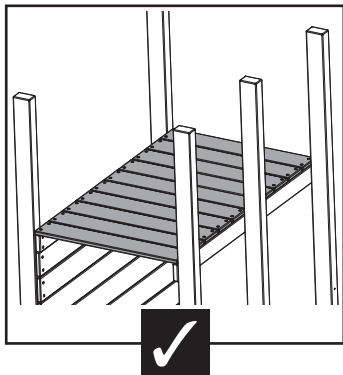
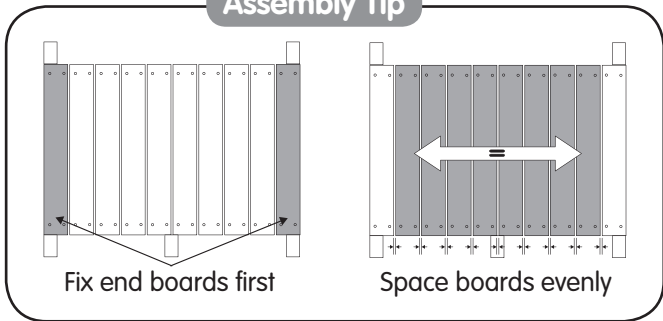
		
MW2400 1397mm x3	MW2407 1000mm x1	FA9768 5x60mm x6



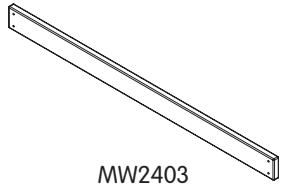
4

	
MW2414 x10	FA9767 5x40mm x40

Assembly Tip



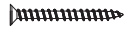
5



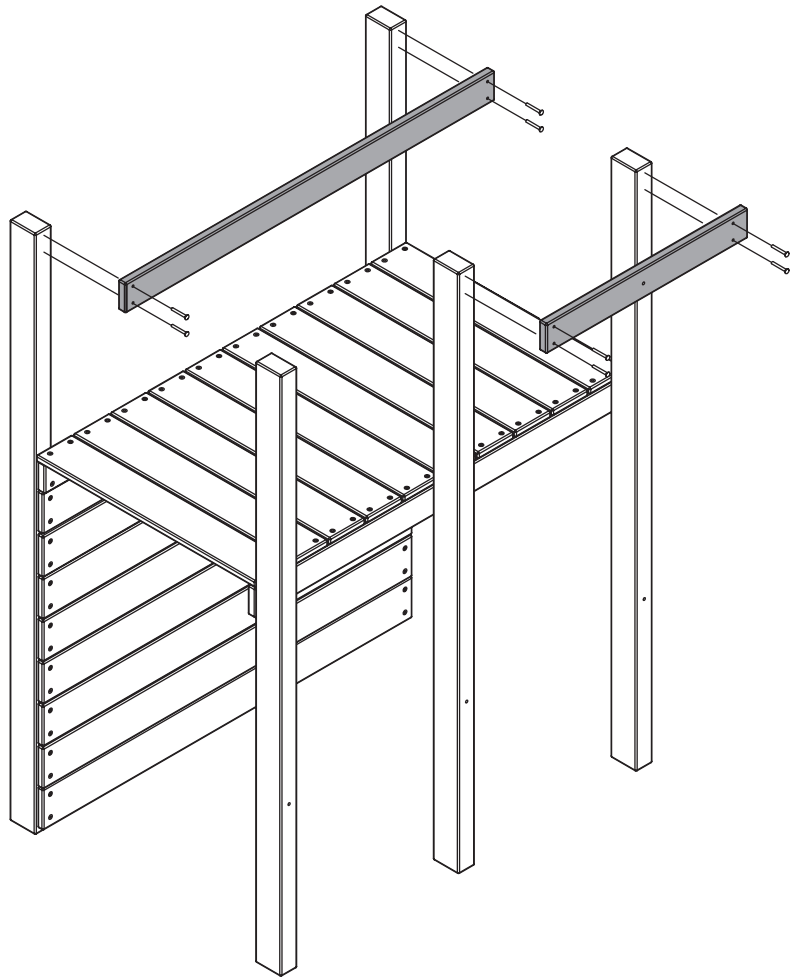
MW2403  
x1



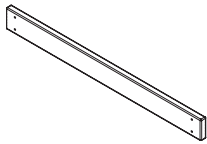
MW2408  
x1



FA9767  
5x40mm  
x8



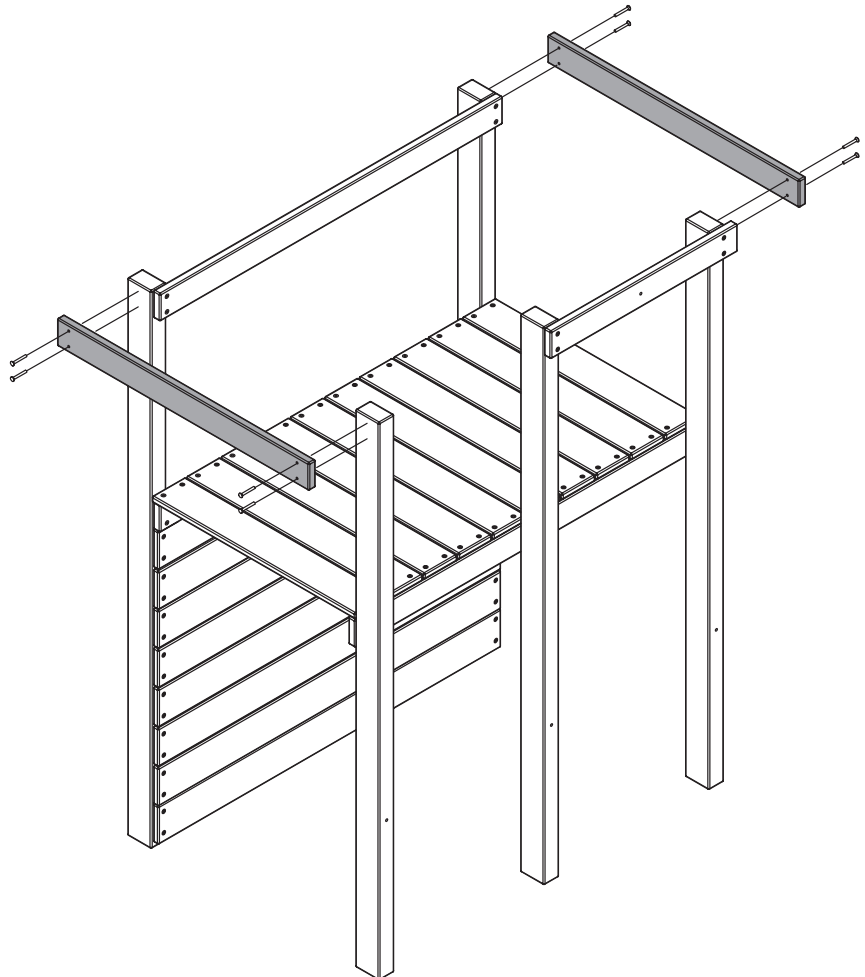
6



MW2409  
x2

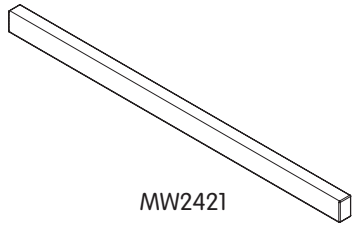


FA9767  
5x40mm  
x8

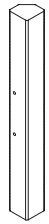




7



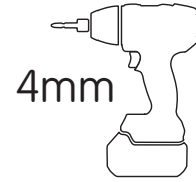
MW2421  
x2



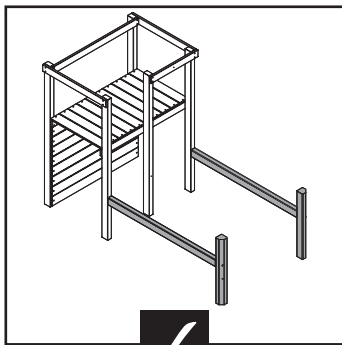
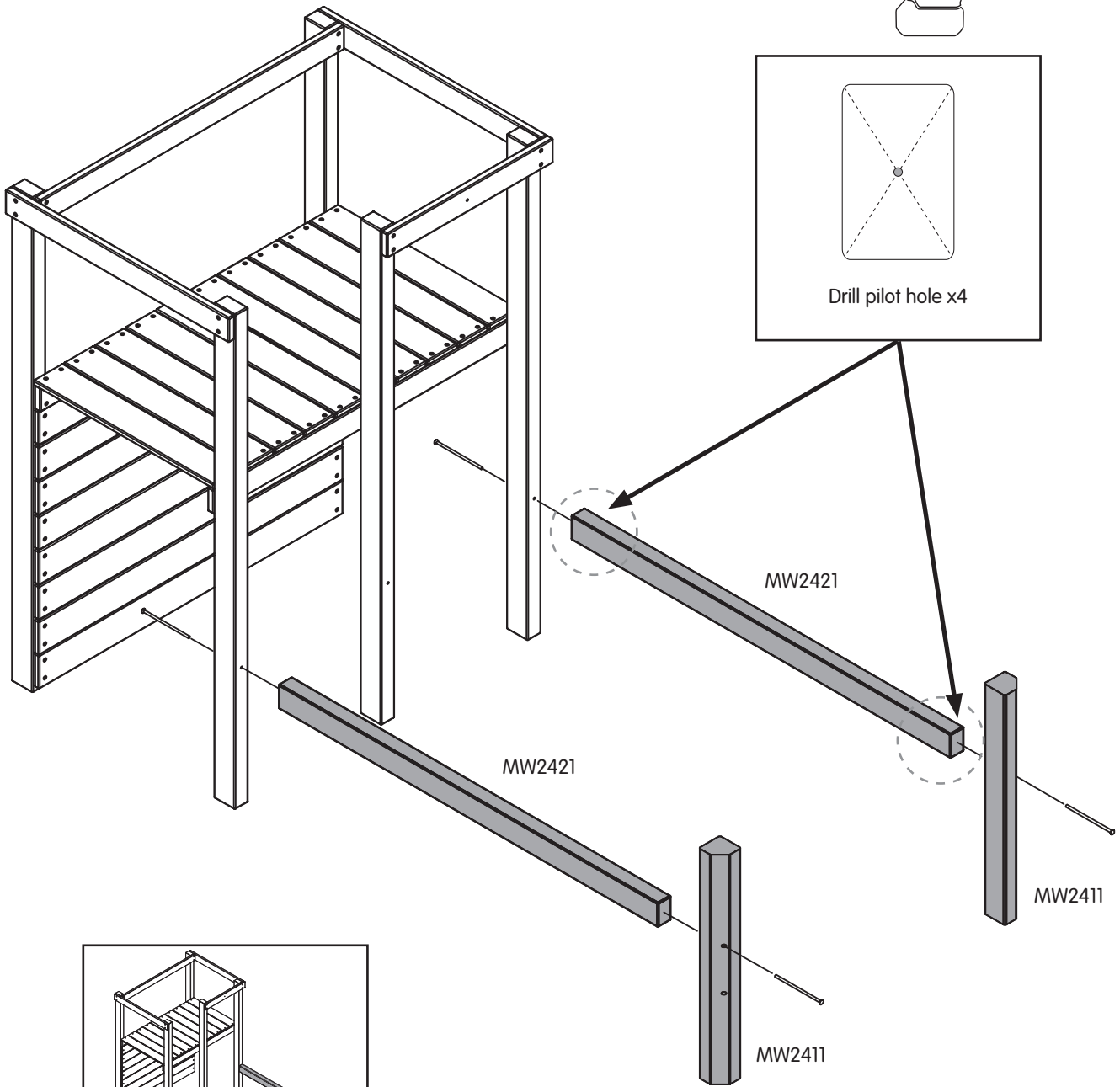
MW2411  
x2



FA9784  
6x150mm  
x4

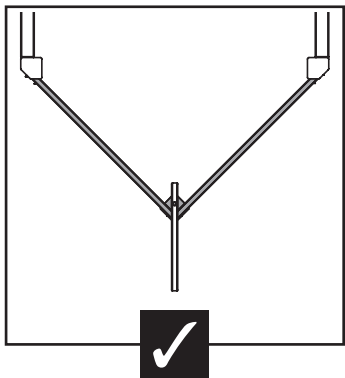
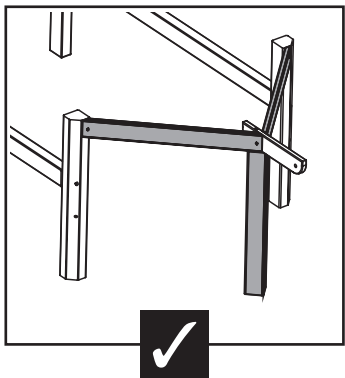
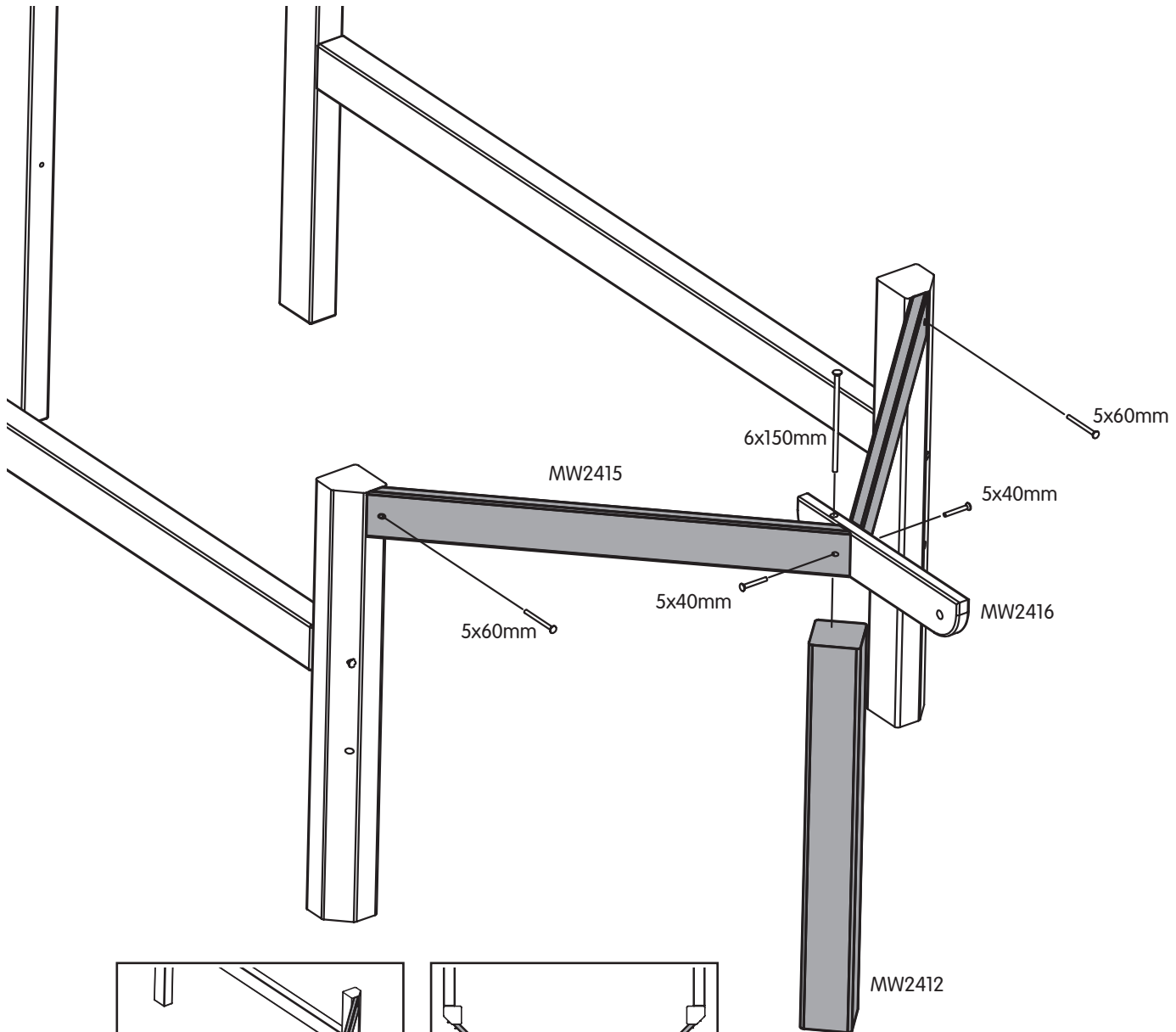
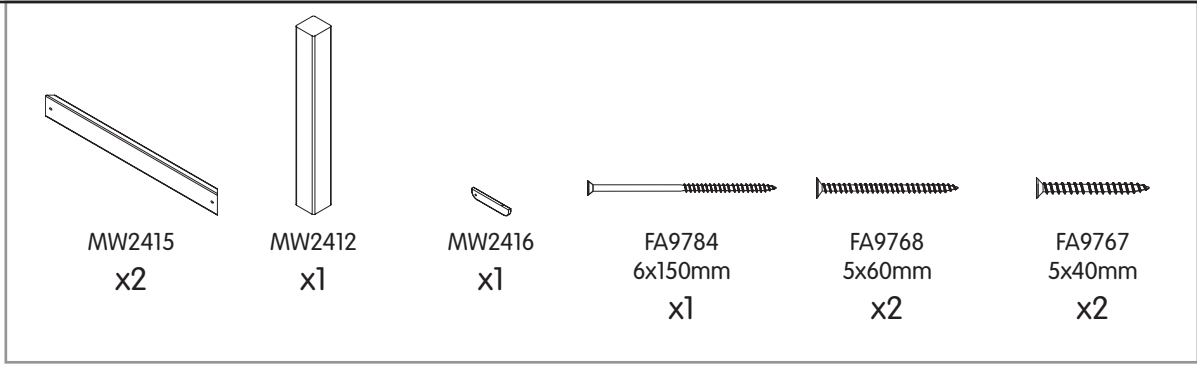


4mm

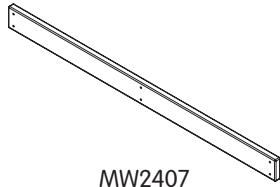


9

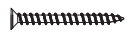
8



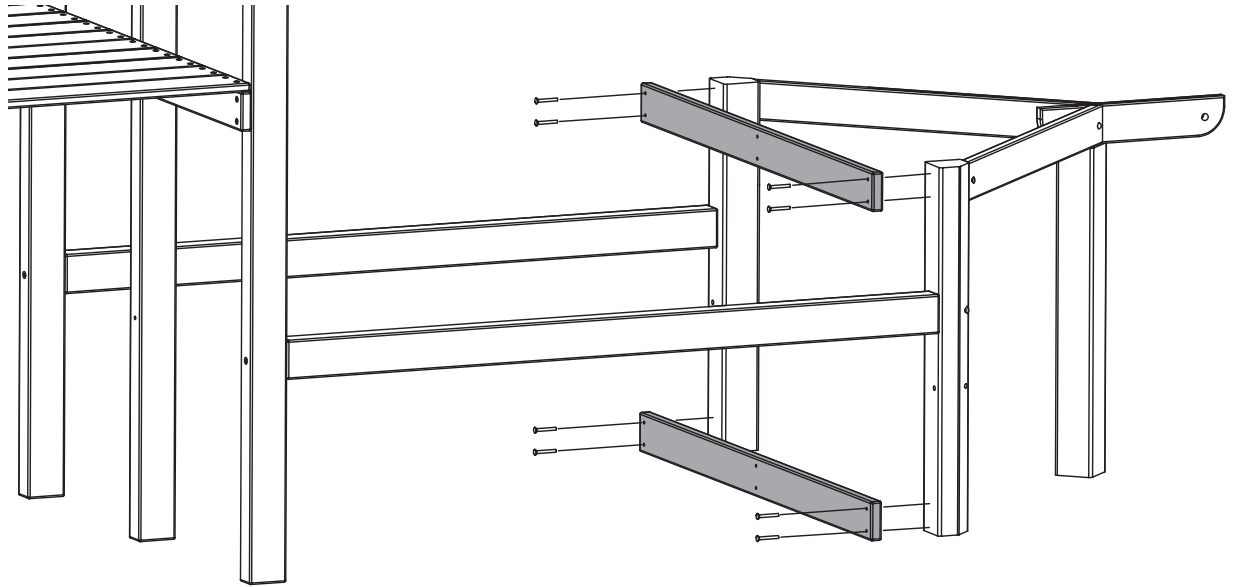
9



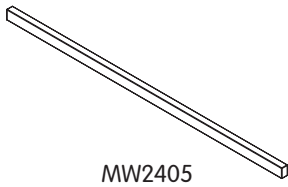
MW2407  
x2



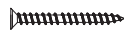
FA9767  
5x40mm  
x8



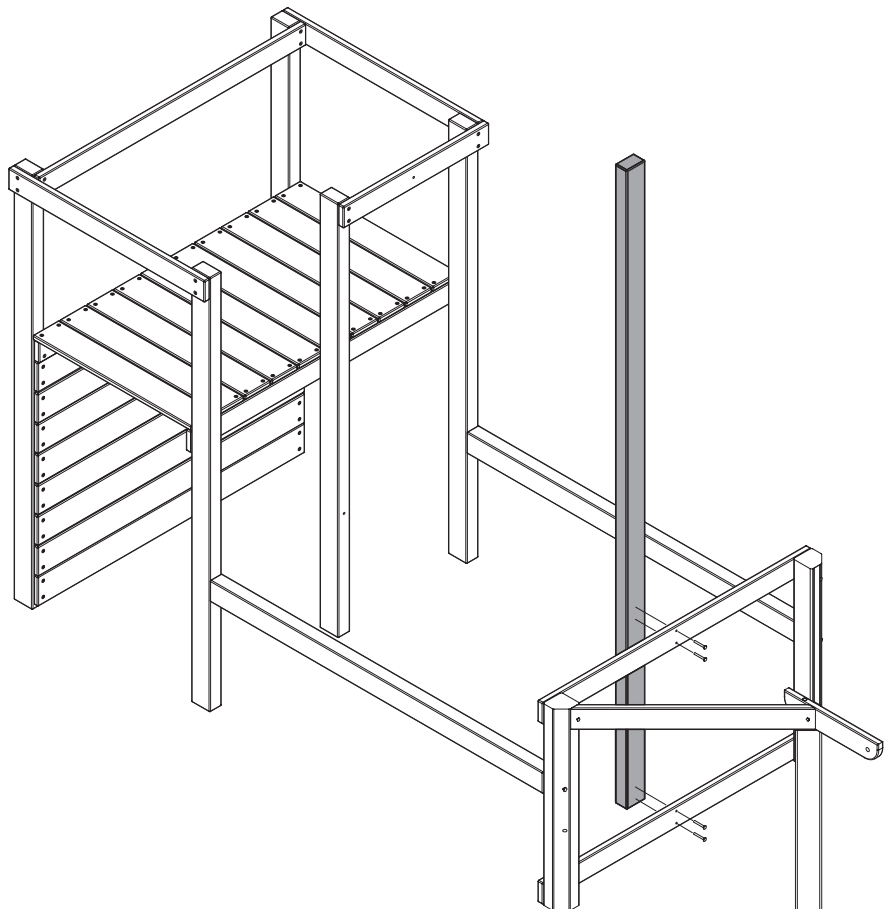
10



MW2405  
x1



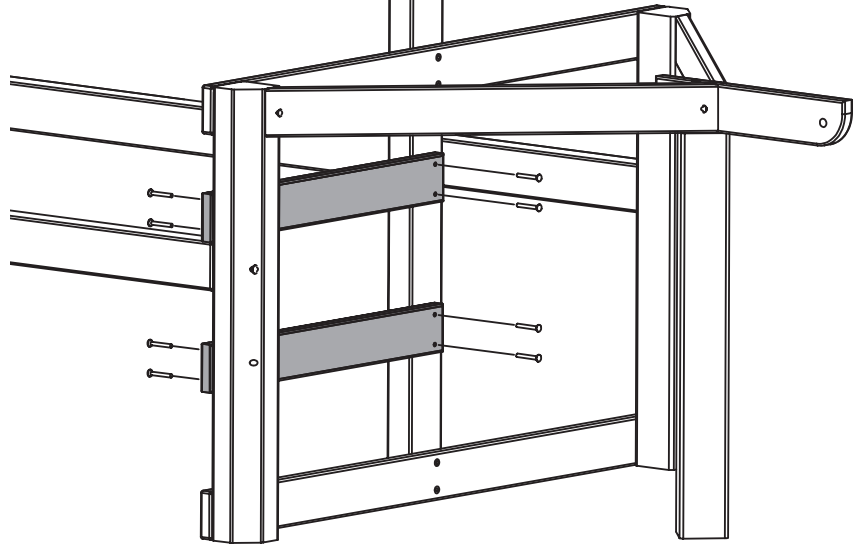
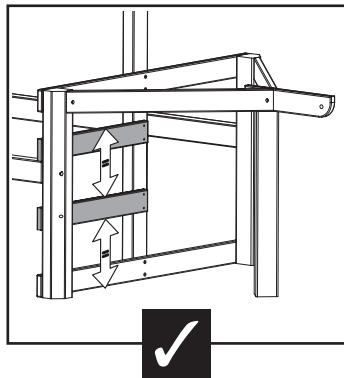
FA9767  
5x40mm  
x4



11

  
MW2413  
x2

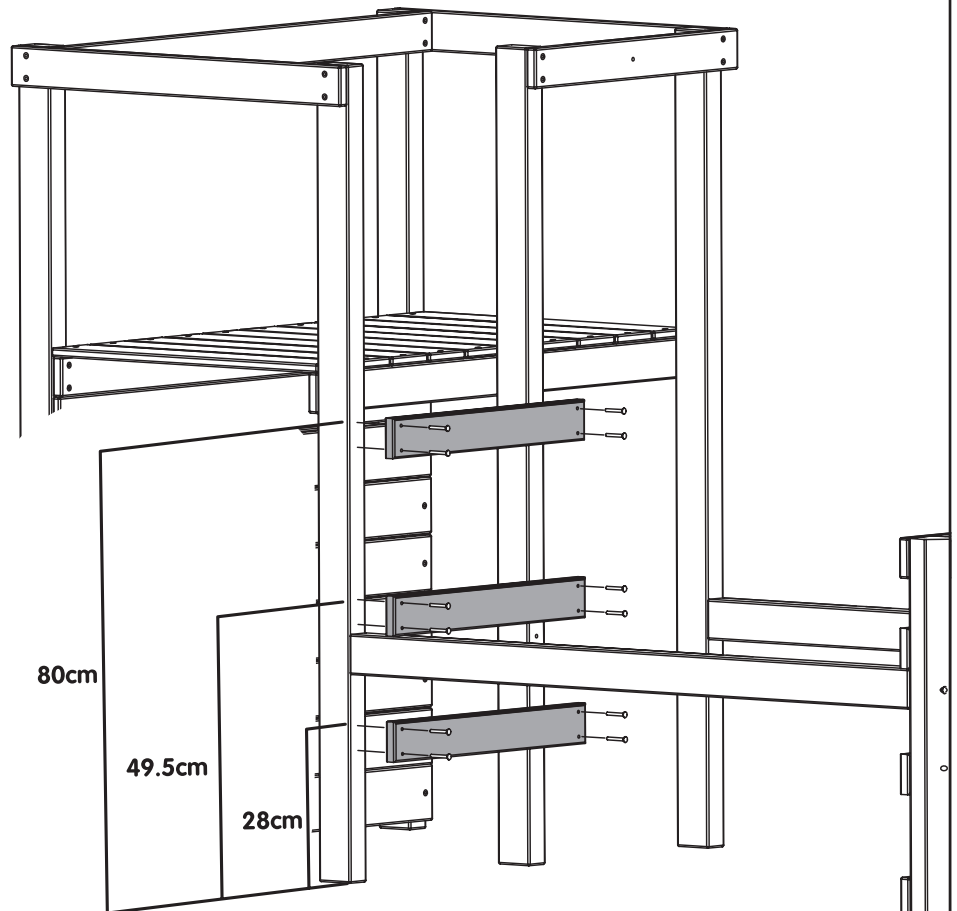
  
FA9767  
5x40mm  
x8



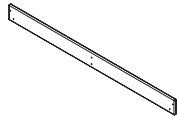
12

  
MW2413  
x3

  
FA9767  
5x40mm  
x12



13



MW2418  
x2



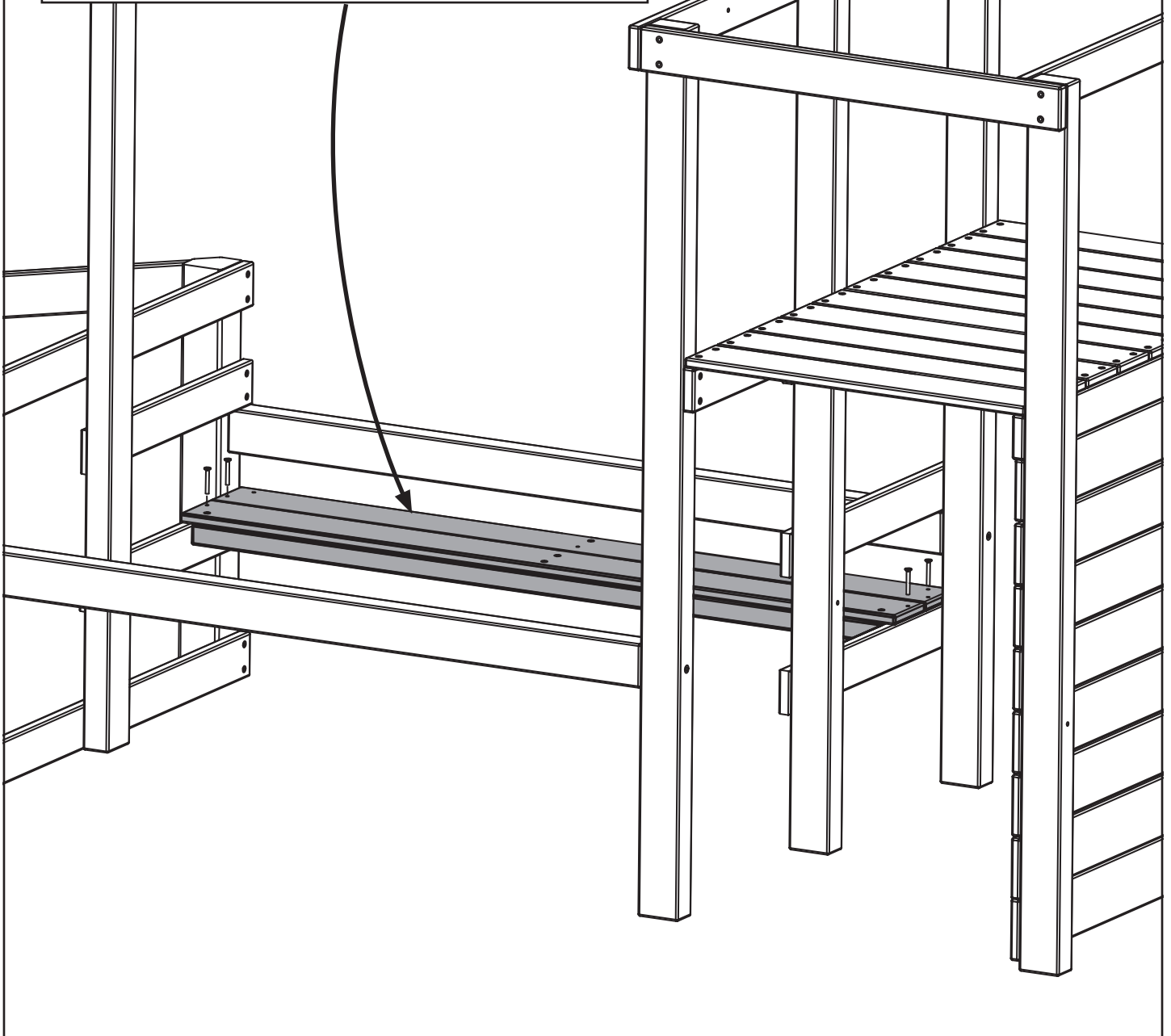
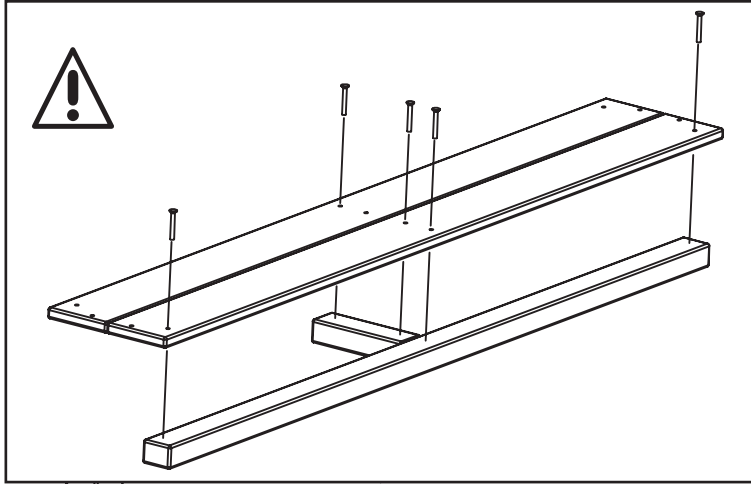
MW2425  
x1



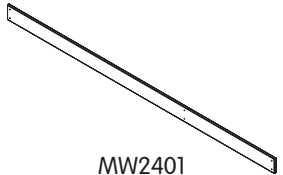
MW2426  
x1



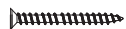
FA9767  
5x40mm  
x9



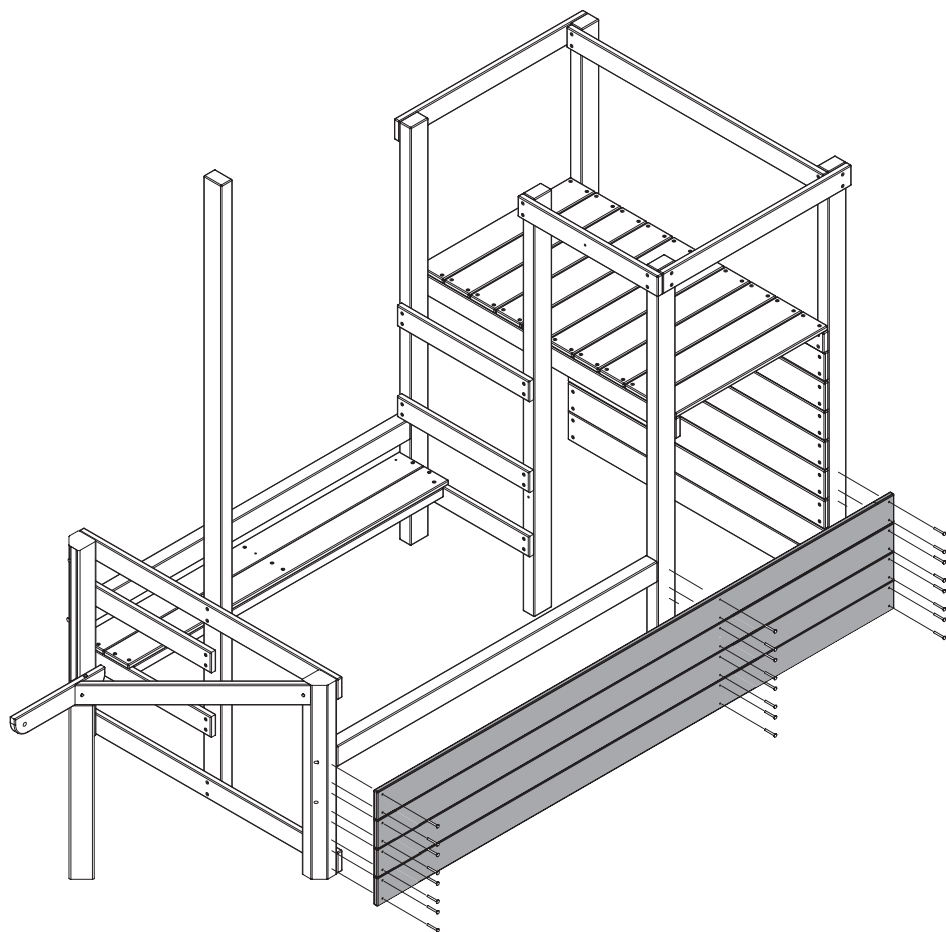
14



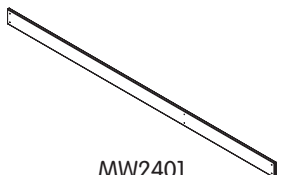
MW2401  
2000mm  
x4



FA9767  
5x40mm  
x24



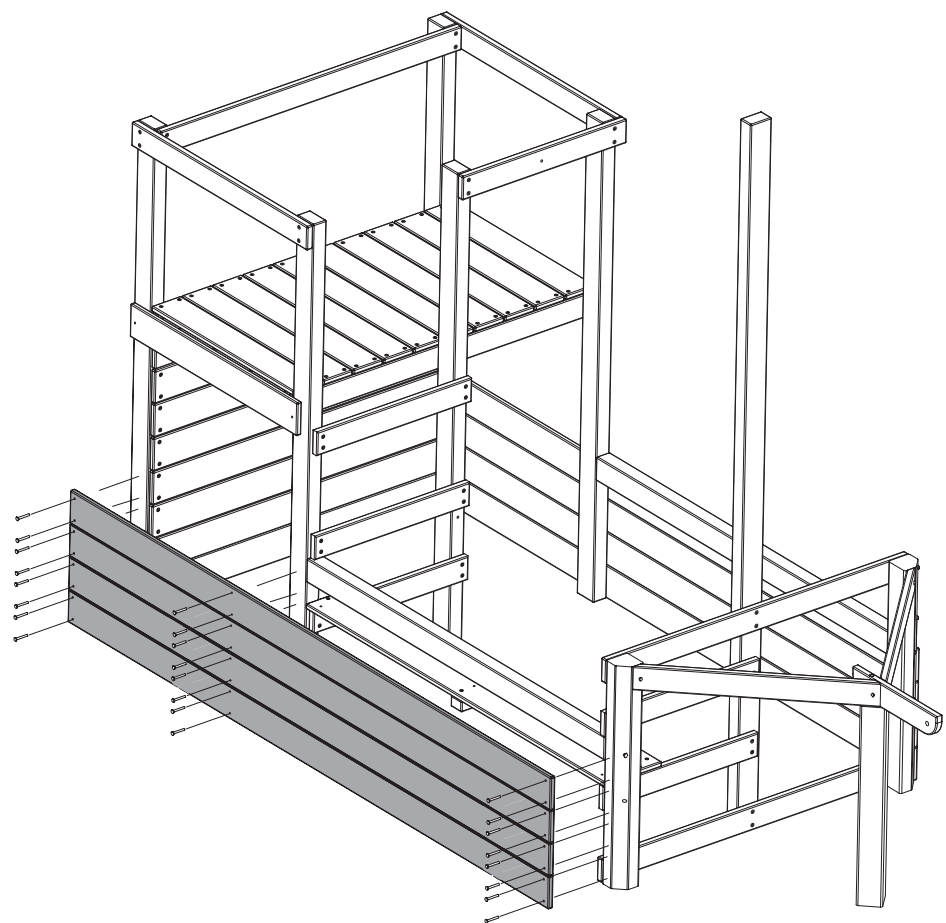
15

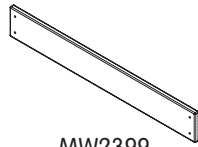


MW2401  
2000mm  
x4



FA9767  
5x40mm  
x24

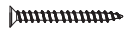




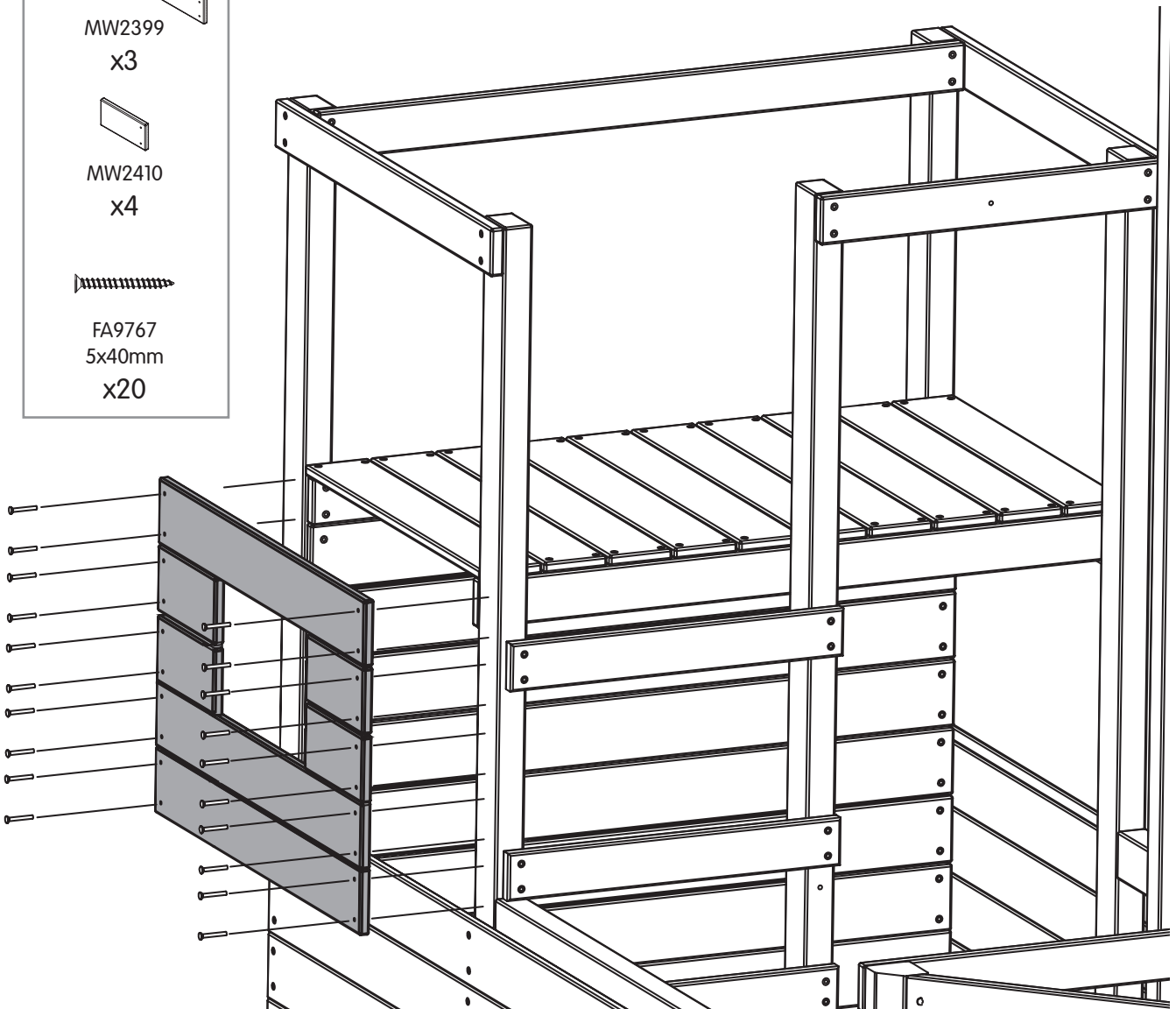
MW2399  
x3



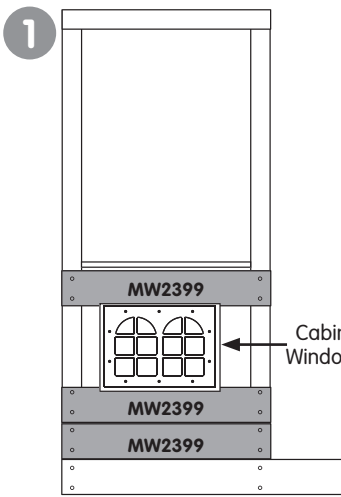
MW2410  
x4



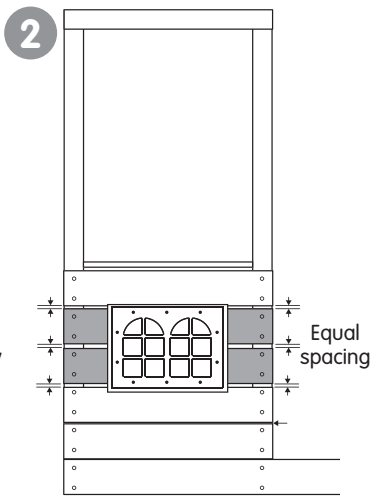
FA9767  
5x40mm  
x20



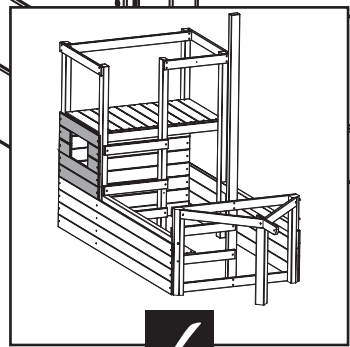
Assembly Tip



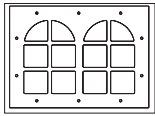
Fix MW2399 boards first.  
Use window for spacing.



Space MW2410 boards with  
equal gaps.  
Use window for spacing.



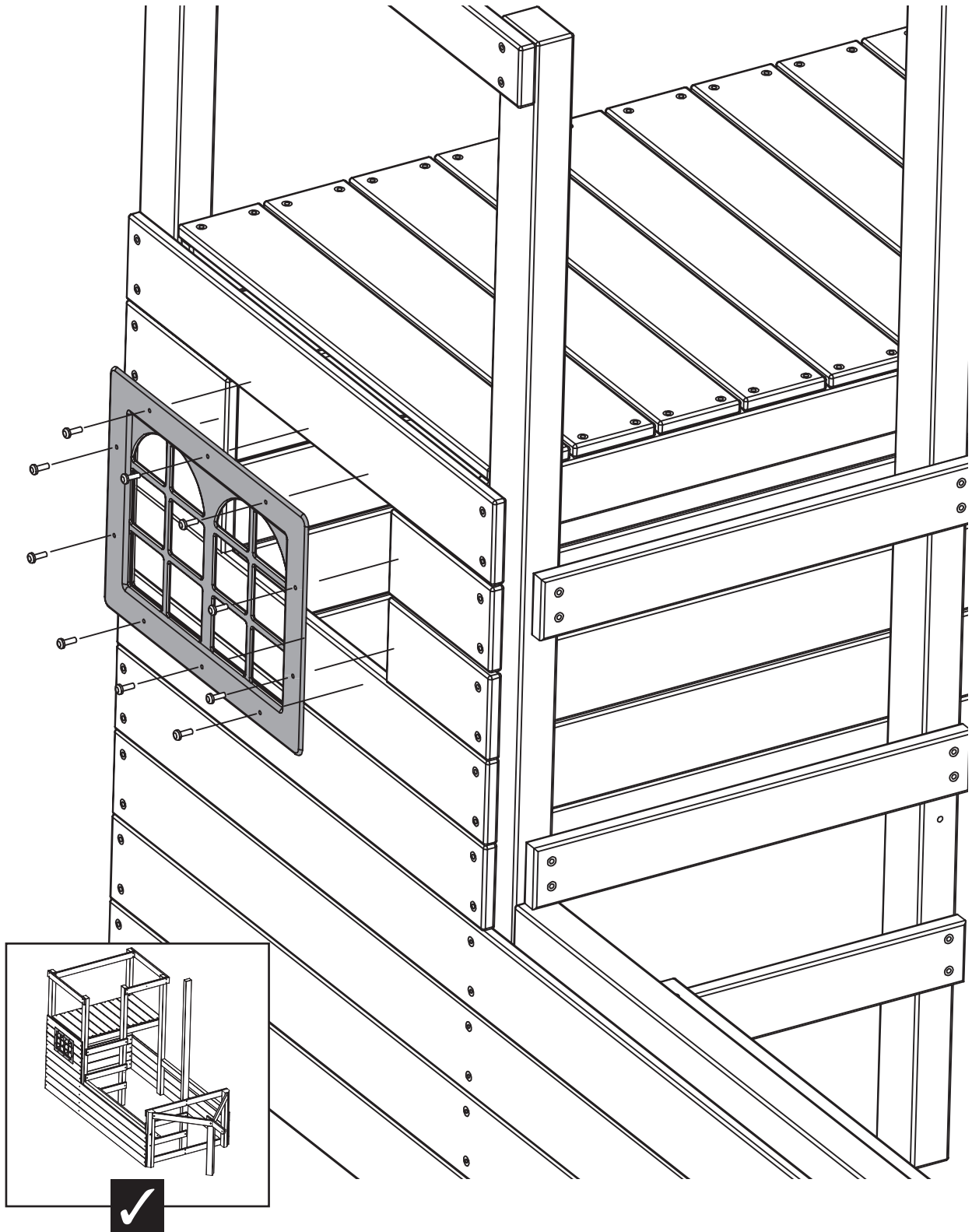
17



PM2085  
Cabin Window  
x1

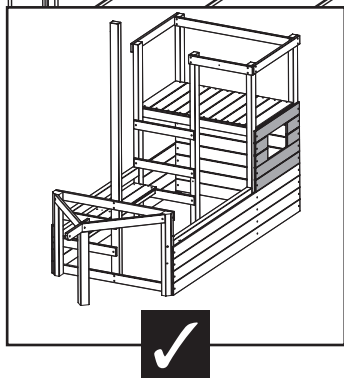
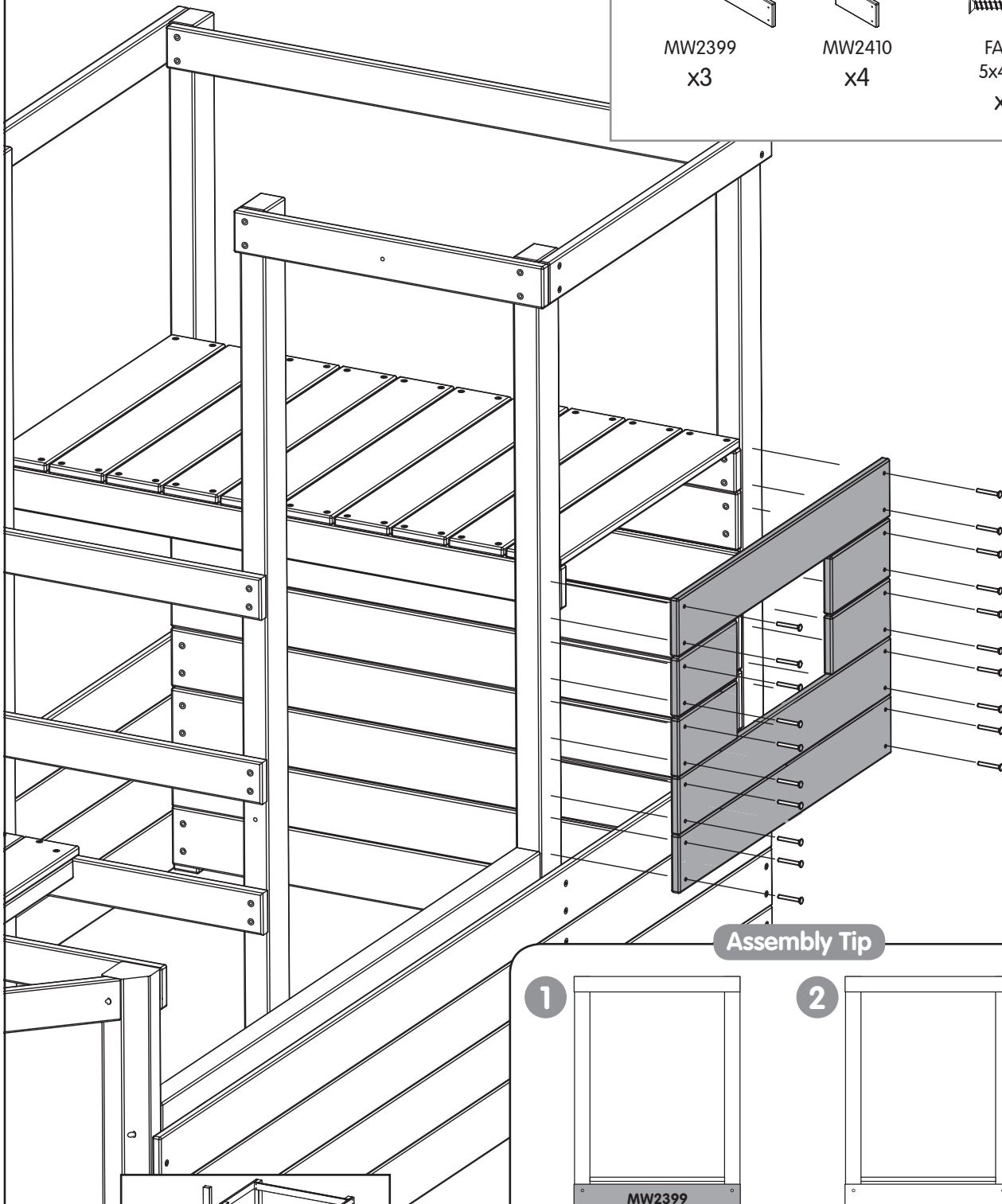


FA8274  
5x15mm  
x10





- MW2399 x3
- MW2410 x4
- FA9767 5x40mm x20



Assembly Tip

1

Cabin Window

MW2399

MW2399

MW2399

2

Equal spacing

MW2410

MW2410

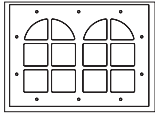
MW2410

MW2410

Fix MW2399 boards first. Use window for spacing.

Space MW 2410 boards with equal gaps. Use window for spacing.

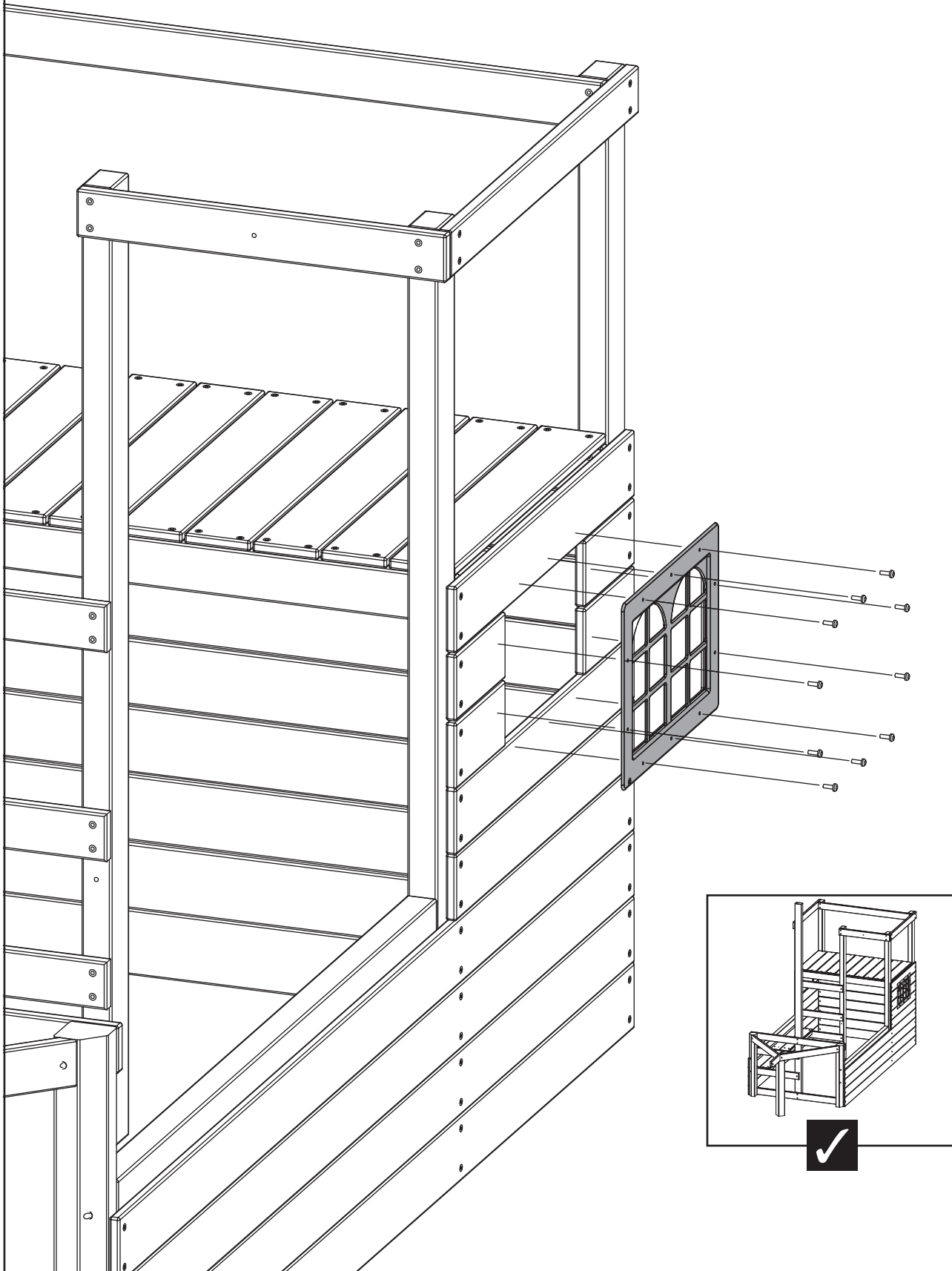
19



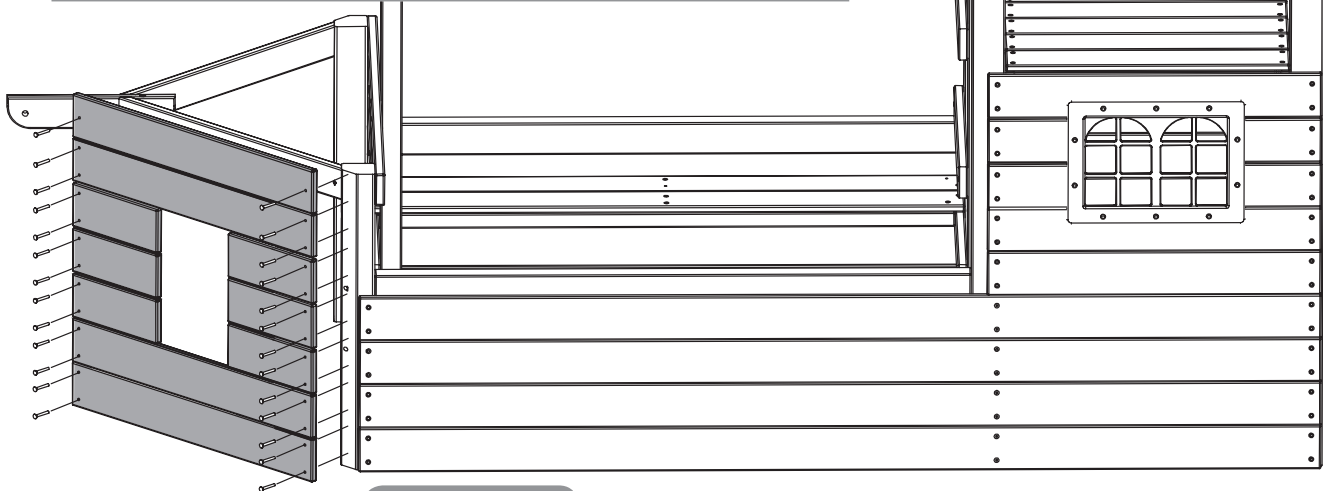
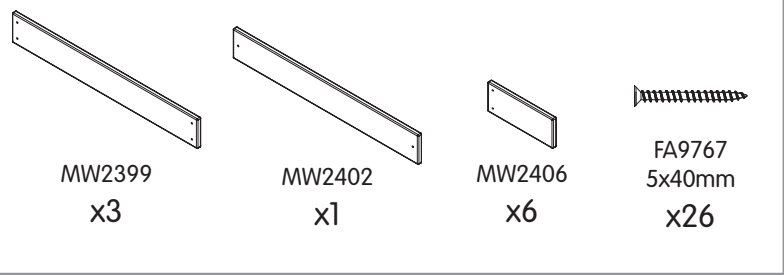
PM2085  
Cabin Window  
x1



FA8274  
5x15mm  
x10

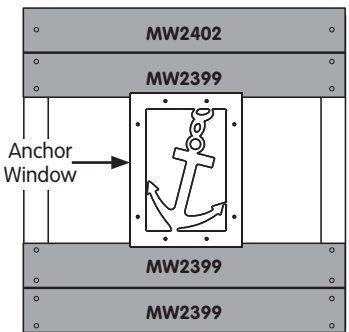


20



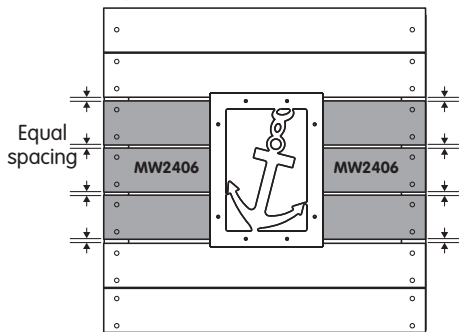
Assembly Tip

1

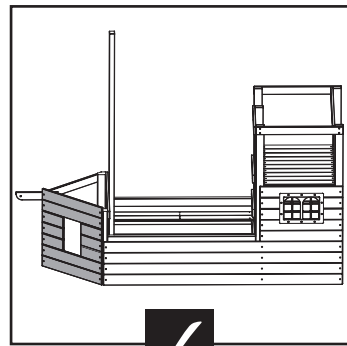


Fix MW2399 boards first. Use window for spacing.

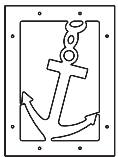
2



Space MW2406 boards with equal gaps. Use window for spacing.



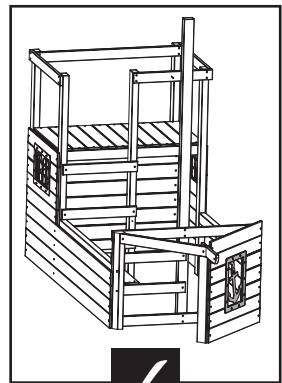
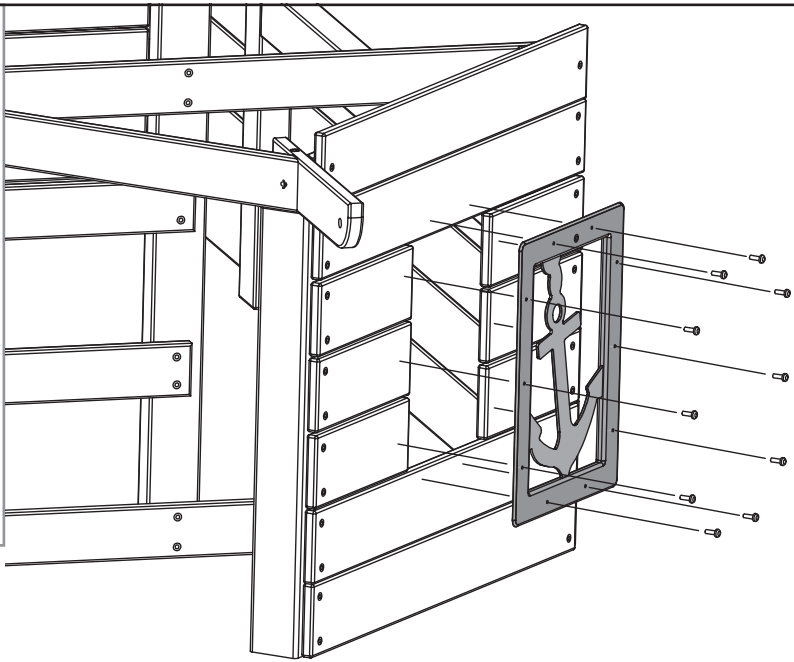
21



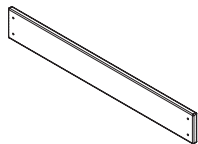
PM2086 Anchor Window x1



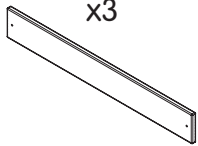
FA8274 5x15mm x10



22



MW2399  
x3



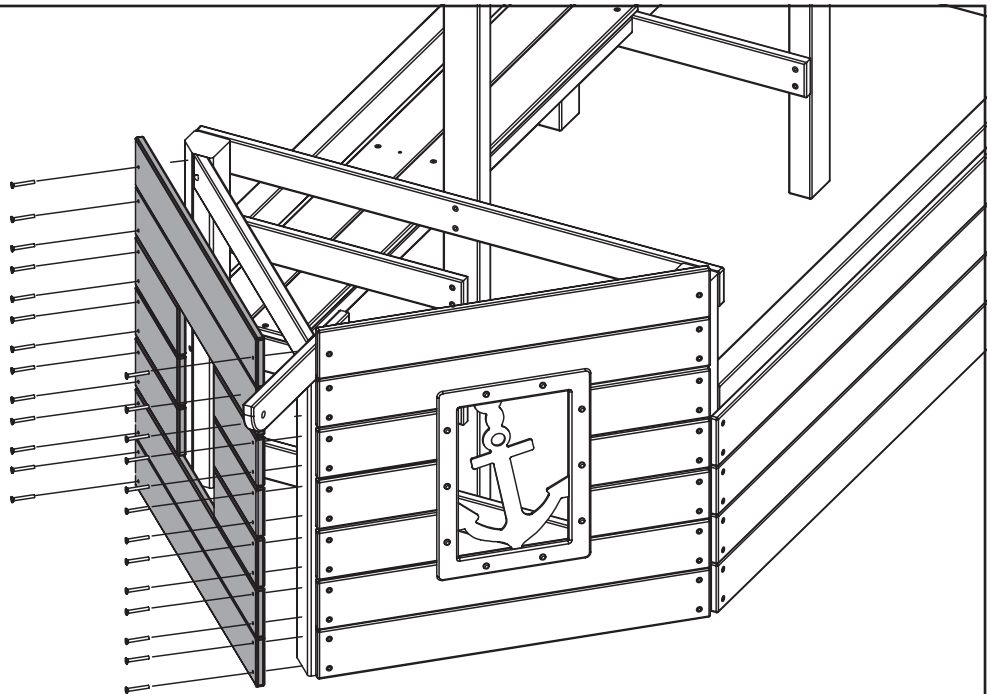
MW2402  
x1



MW2406  
x6

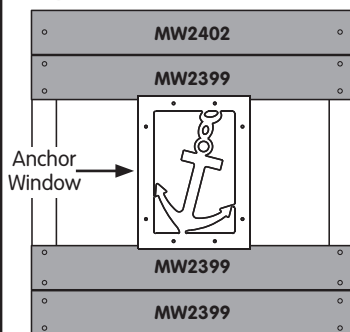


FA9767  
5x40mm  
x26



Assembly Tip

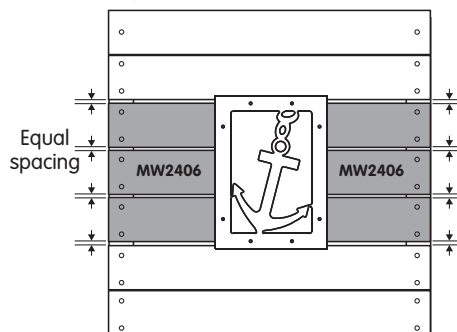
1



Anchor Window

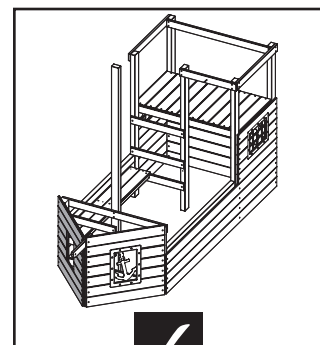
Fix MW2399 boards first.  
Use window for spacing.

2

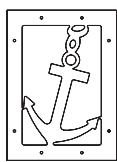


Equal spacing

Space MW2406 boards  
with equal gaps.  
Use window for spacing.



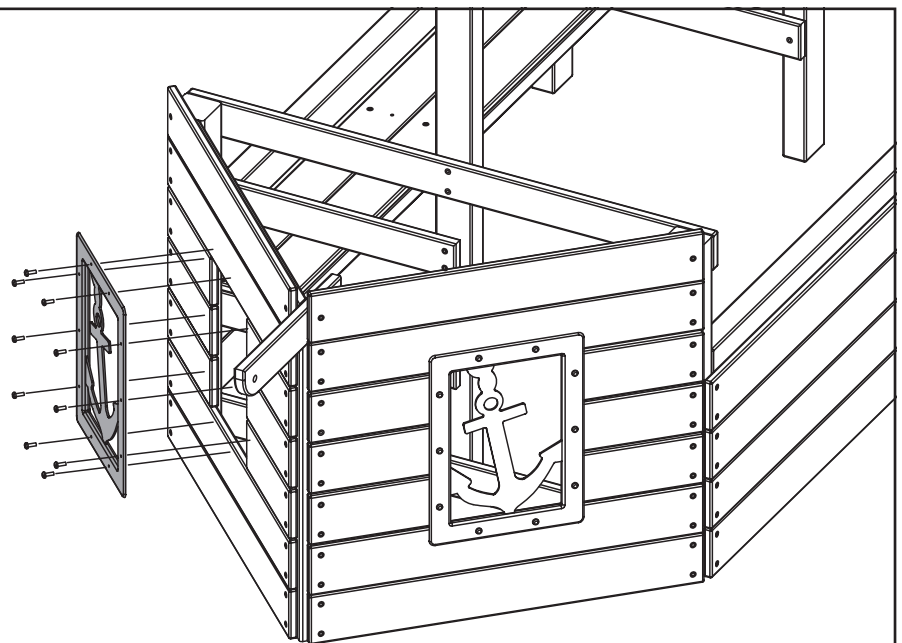
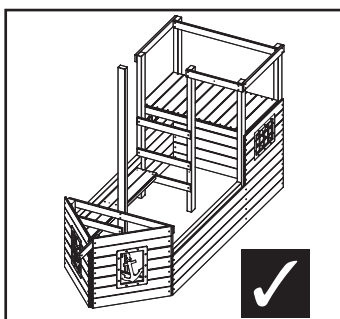
23



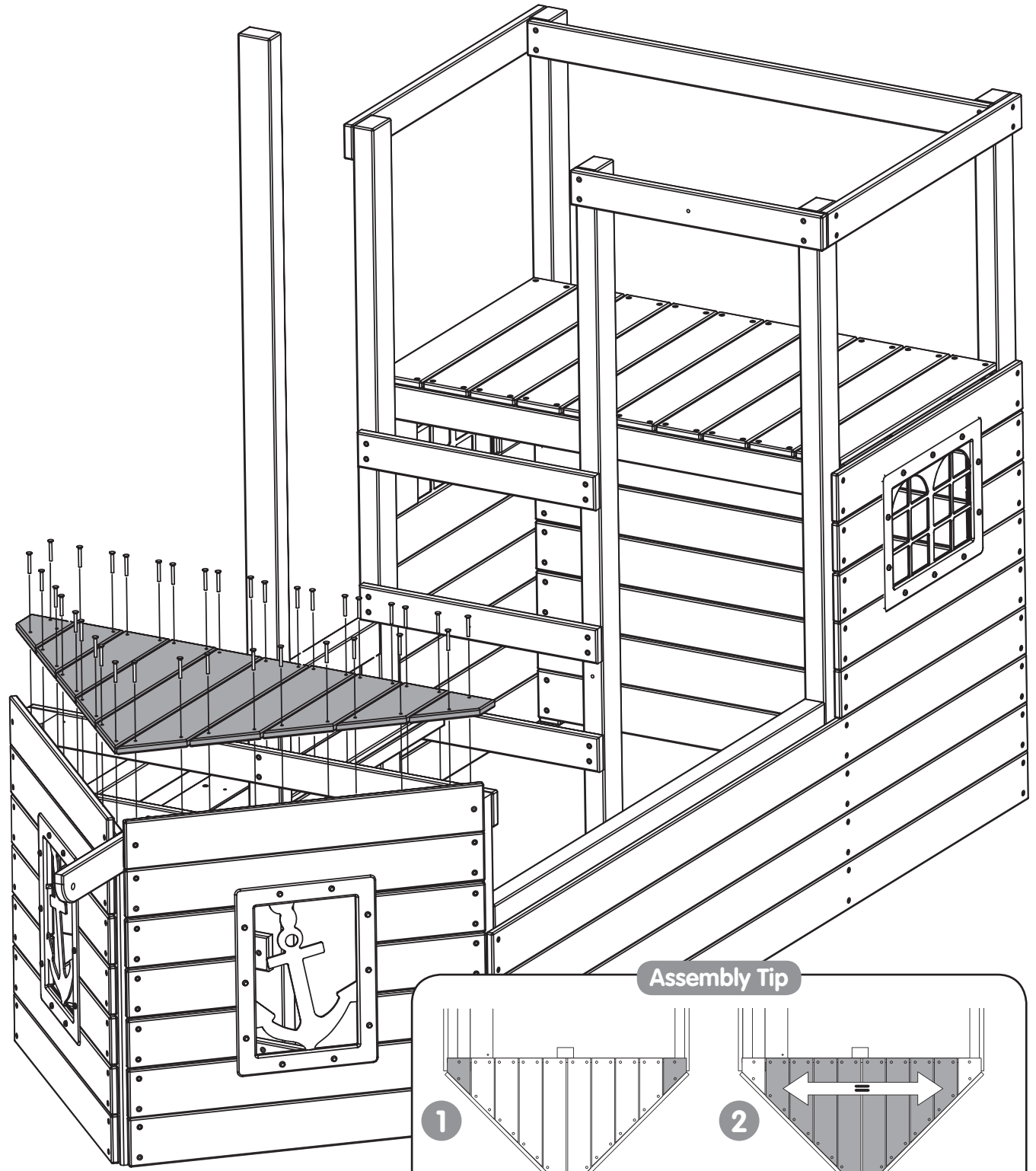
PM2086  
Anchor Window  
x1



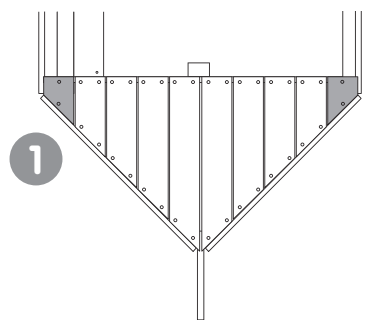
FA8274  
5x15mm  
x10



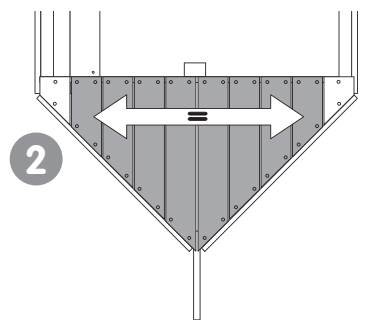
- MW2427 x2
- MW2428 x2
- MW2429 x2
- MW2430 x2
- MW2431 x2
- FA9767 5x40mm x36



Assembly Tip



Fit the 2 ends boards first. Use rest of boards for spacing.



Fit rest of boards now with equal spacing between boards.

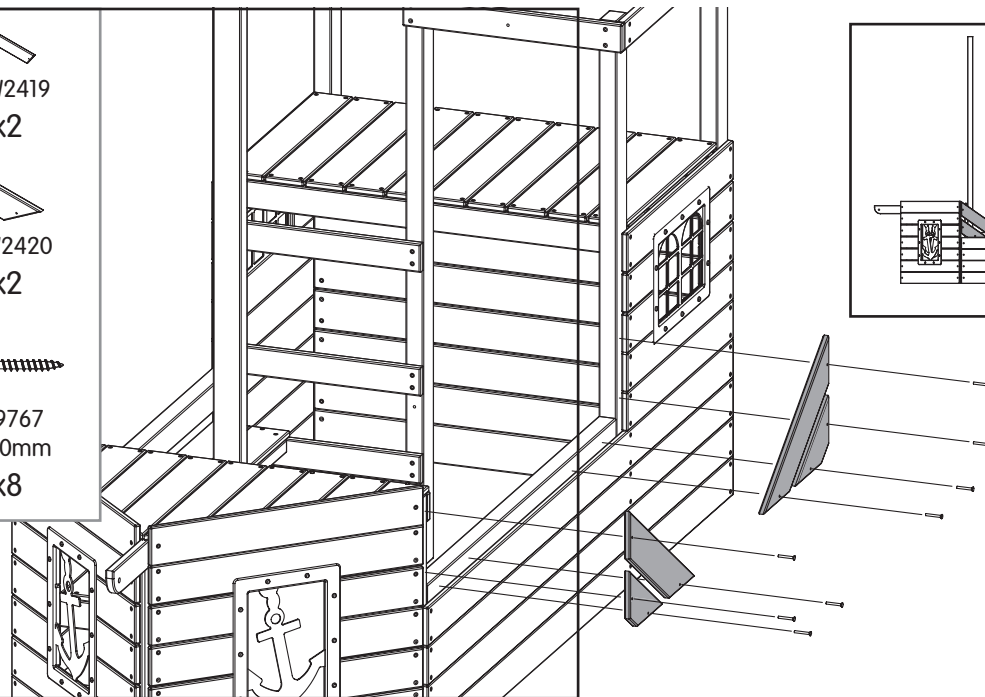


25

MW2419  
x2

MW2420  
x2

FA9767  
5x40mm  
x8

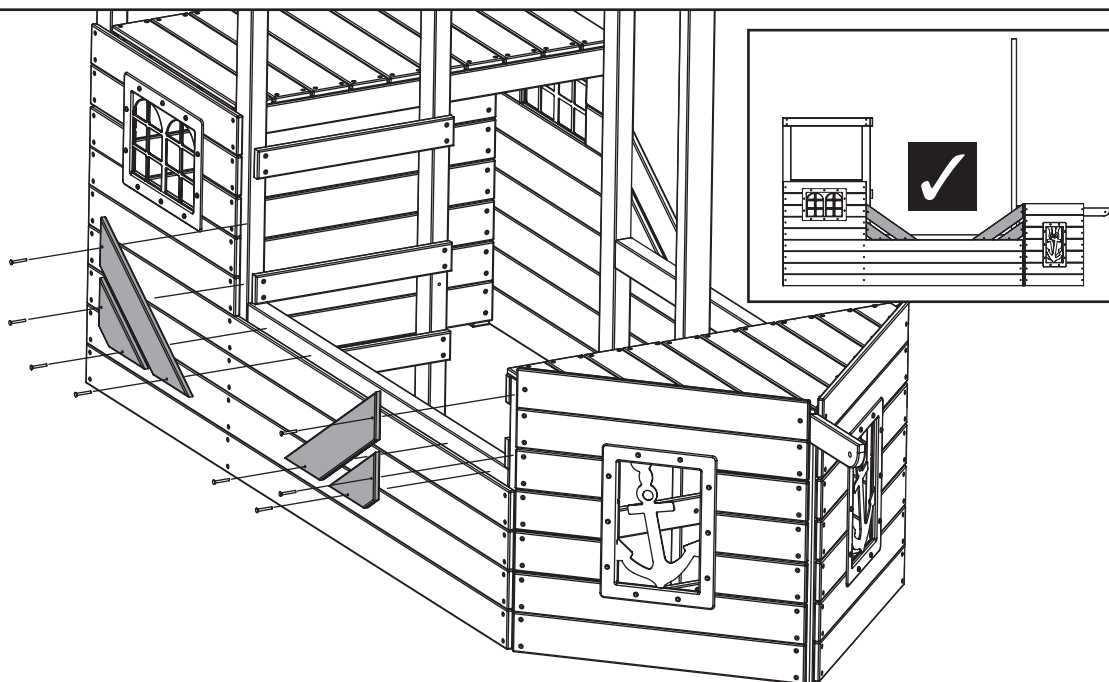


26

MW2419  
x2

MW2420  
x2

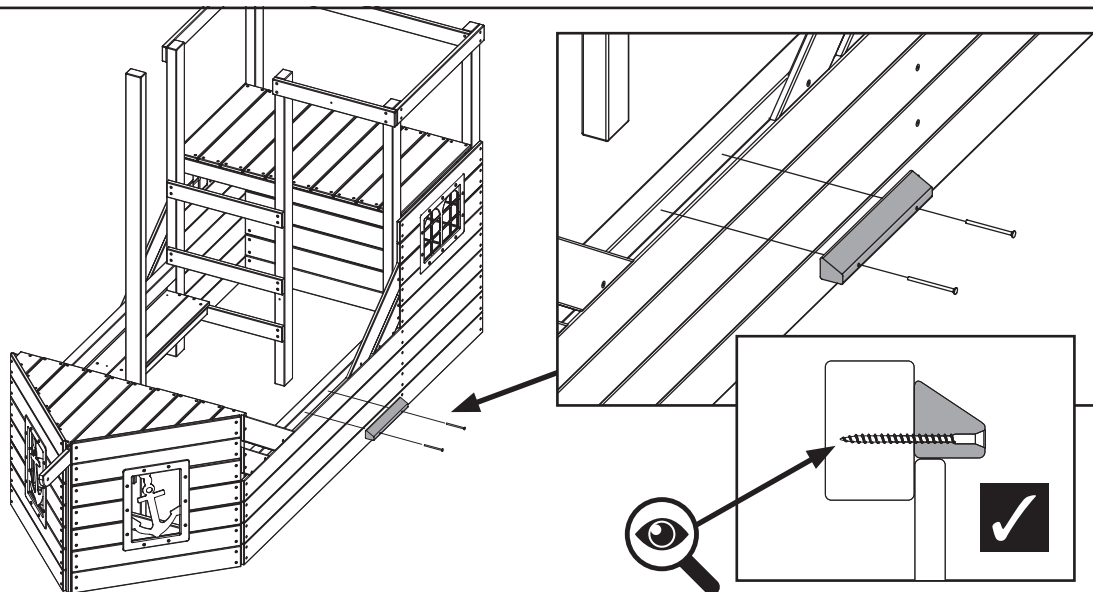
FA9767  
5x40mm  
x8



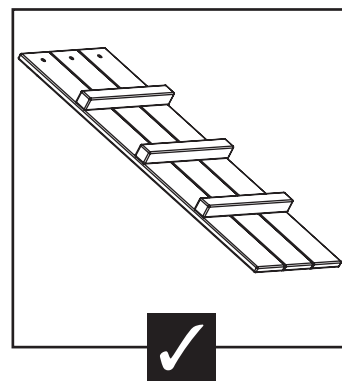
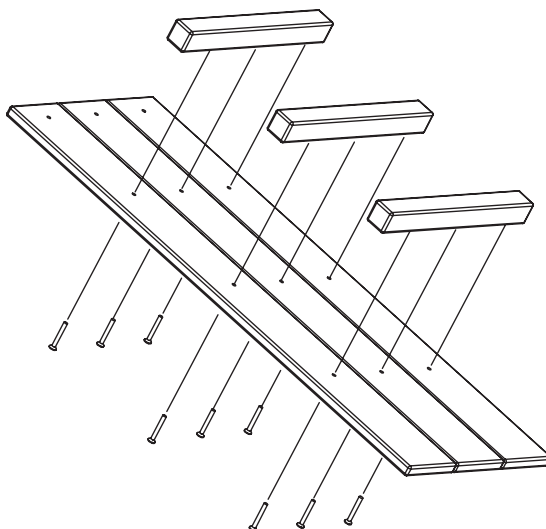
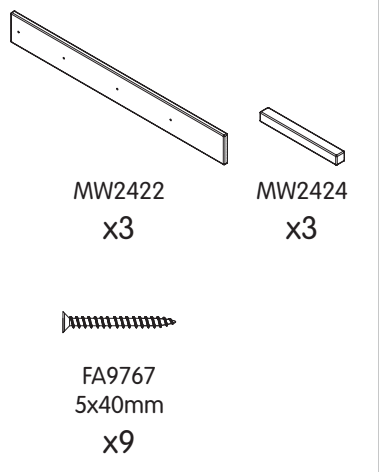
27

MW2423  
x1

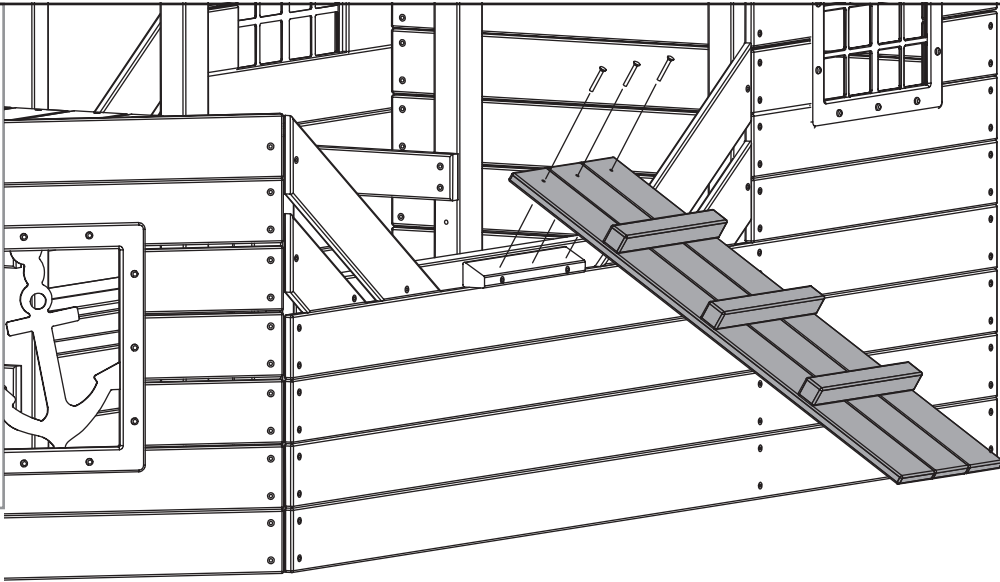
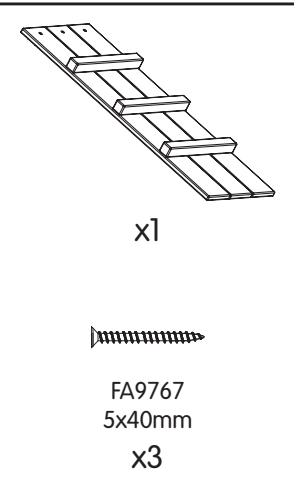
FA4521  
5x80mm  
x2



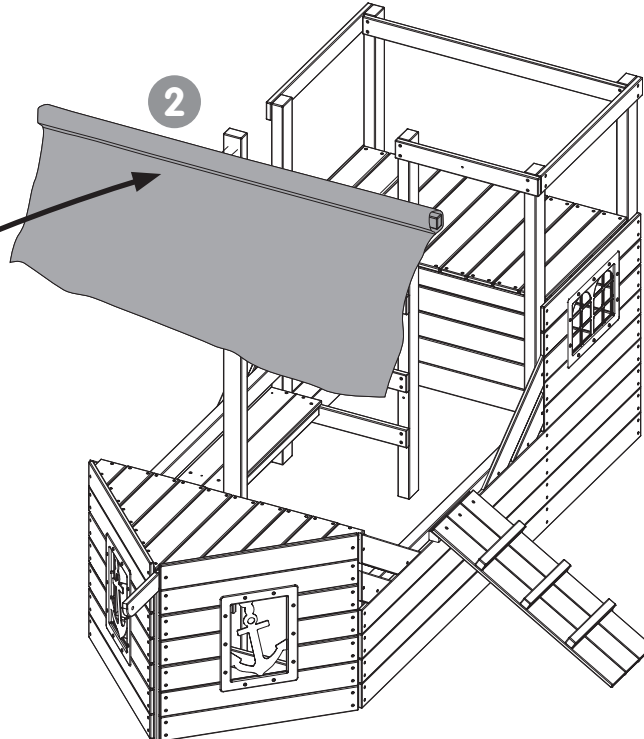
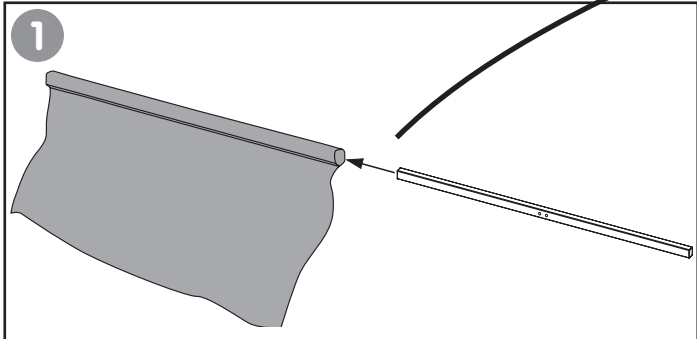
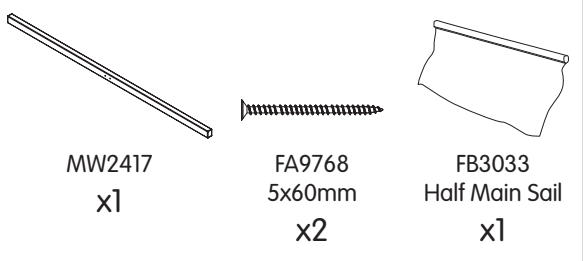
28



29



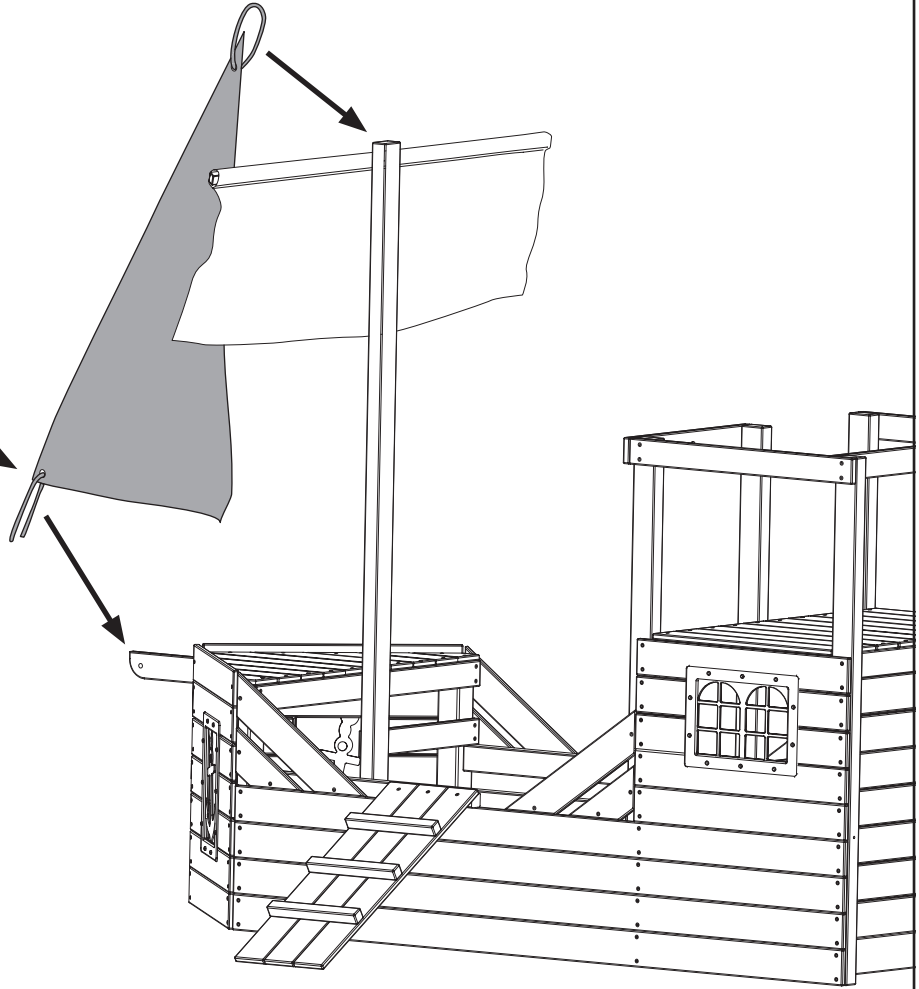
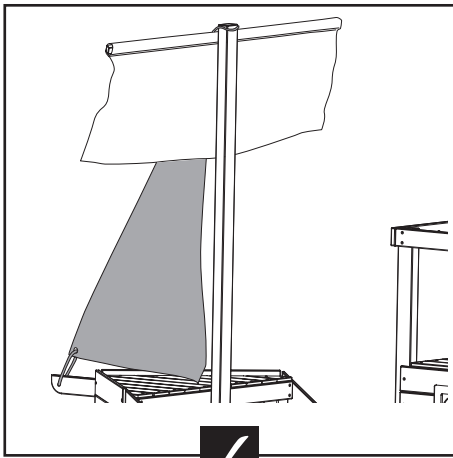
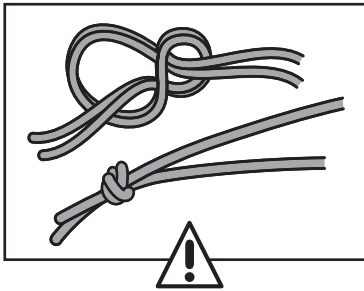
30



31



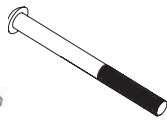
FB3035  
Spinika Sail  
x1



32



FA8414  
x1



FA7381  
x1



FA8441  
x1



FA6396  
x1



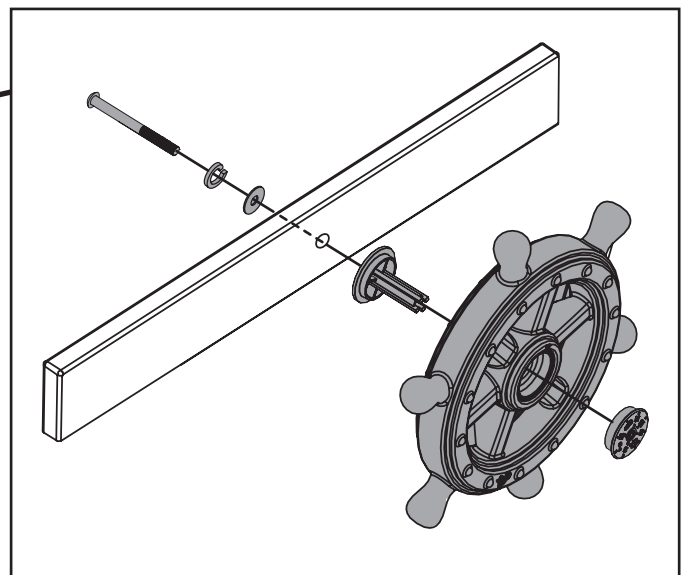
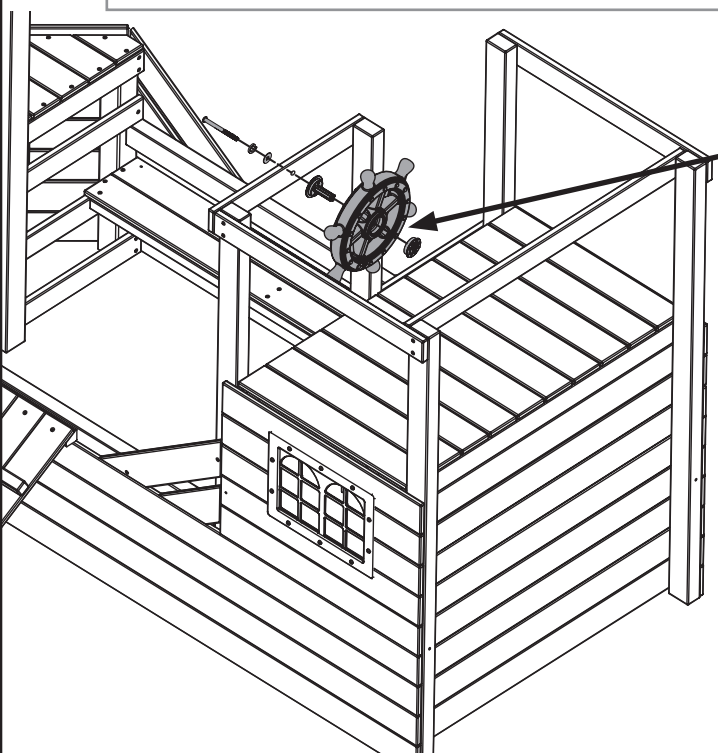
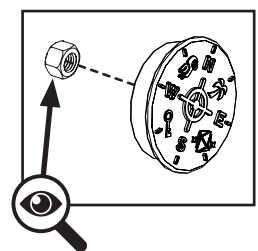
PM0071  
x1



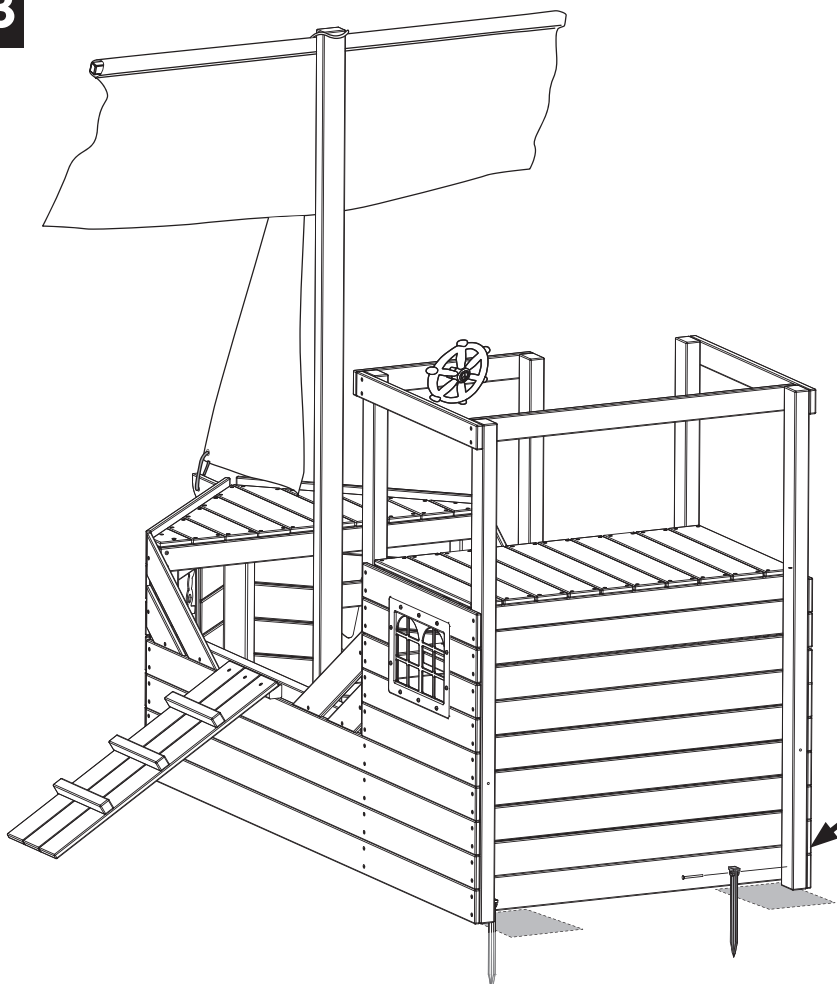
PM0070  
x1



PM0072  
x1



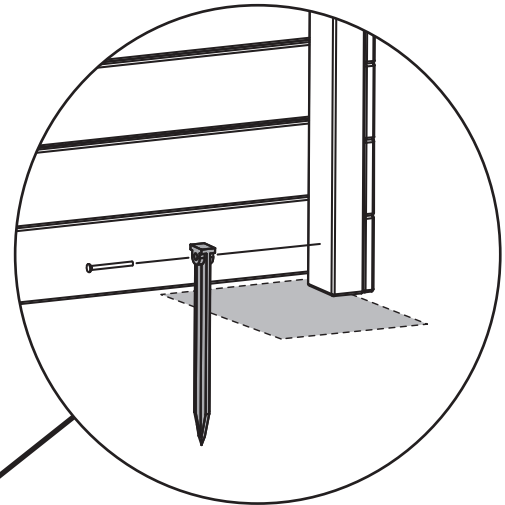




FA9768  
5x60mm  
x2



PM2001  
Ground Peg  
x2



**1**

Locate position of Pirate Galleon with Safe Play area around.

**2**

Mark base/ staking position then move Pirate Galleon.

**3**

Dig holes: 300mm x 300mm x 300mm deep.

**4**

Move Pirate Galleon back into position. Fix stakes to Pirate Galleon. Position stakes into ground holes.

**5**

Not Supplied.  
Post-mix Concrete.

Fill holes with Post-Mix concrete.

x2



Ensure the stakes are positioned into the setting Post-Mix concrete.  
**Warning: Never set the base of the playset in concrete.**







## Thank you

Thank you for purchasing this product.

Please register your new product on line at [tptoys.com](http://tptoys.com)

visit [www.tptoys.com/customer/productregistration](http://www.tptoys.com/customer/productregistration)

Find out about the guarantee for this product,

visit [www.tptoys.com/customer/pages/guaranteeinformation](http://www.tptoys.com/customer/pages/guaranteeinformation)

For customer services and help with your product,

visit [www.tptoys.com/customer/help](http://www.tptoys.com/customer/help)

**Your TP Guarantee Number/Product Batch No is**